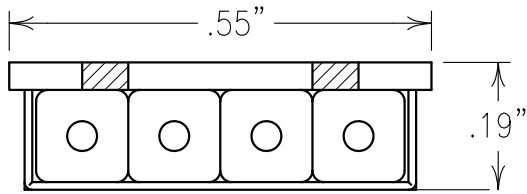


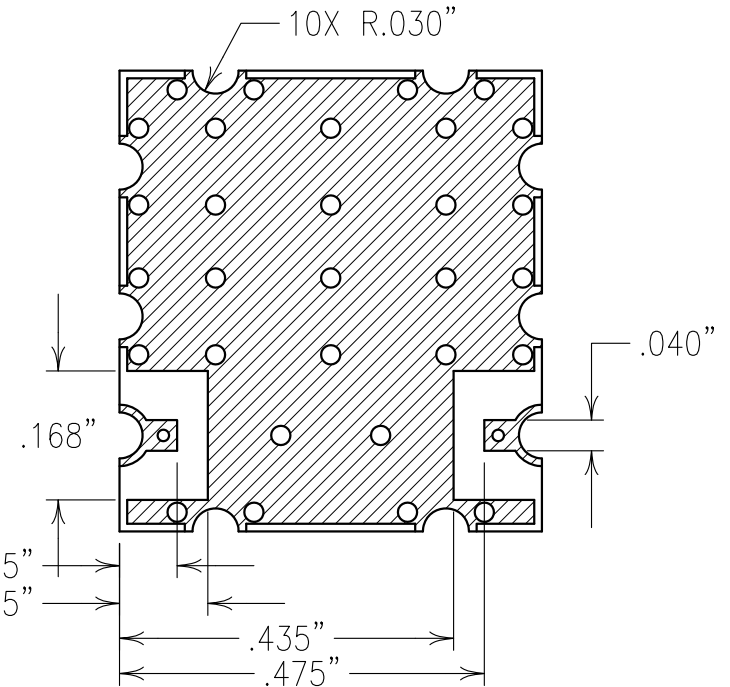
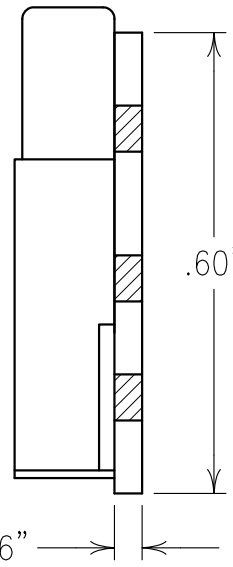
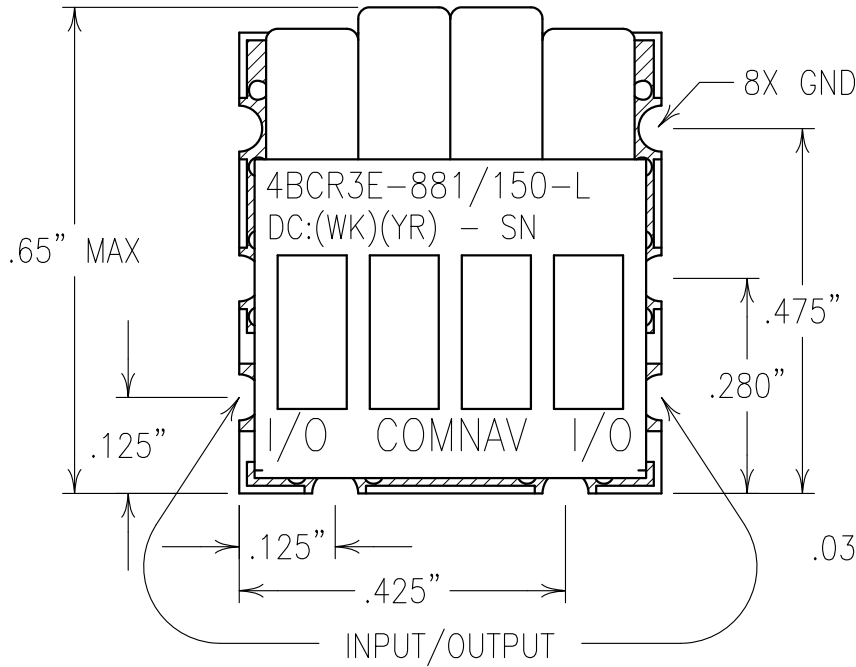
2

1



**COPY**

ELECTRICAL CHARACTERISTICS	
CENTER FREQUENCY:	881 MHz
PASSBAND:	861-901 MHz
PASSBAND LOSS:	1.4 dB MAX
PASSBAND VSWR:	1.5:1 MAX
REJECTION:	55 dBa @ 1610-1650 MHz



NOTES:  
 RECOMMENDED FOOTPRINT: FP0128.  
 FILTER MAY BE LABELED OR ETCHED  
 FILTER IS ROHS COMPLIANT.

ENGLISH / METRIC ENGLISH	CHECKED BY					
TOLERANCES UNLESS OTHERWISE SPECIFIED MACHINED SURFACES TO BE 125/ OR BETTER REMOVE ALL BURRS	DRAWN BY PBF					
ENGLISH (INCHES) XX ±.02 XXX ±.010	METRIC (MM) X ±.25 .XX ±.13	SCALE 4:1	APPLIC: CERAMIC COAXIAL FILTER	REV	DATE	BY
ANGLES ± 0° 30'	DATE 30SEP14	TITLE: 4BCR3E-881/150-L	INI. ISS. PER 3845	KJR	30SEP14	KJR
			REMARKS	DEV.		

Confidential and Proprietary information of ComNav Engineering Inc. Do Not Duplicate or Use Without Permission. ComNav Engineering Inc. claims Copyright in this document as of the Creation, last revision, and last updated dates. All Rights Reserved.

FINISH: BOARD: NI/GOLD  
 JACKET: NI/SILVER  
 RESONATOR: SILVER

DRAWING No. 0L1456

SHEET OF 1 1