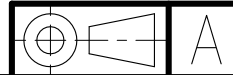
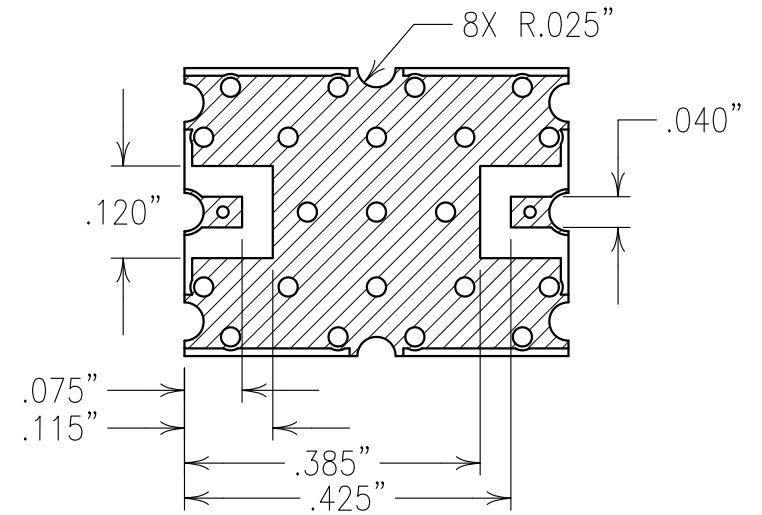
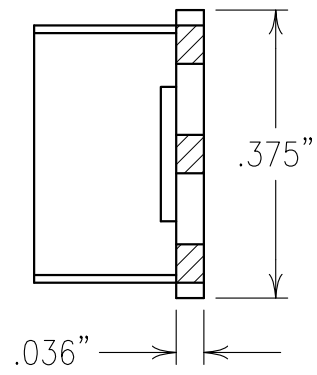
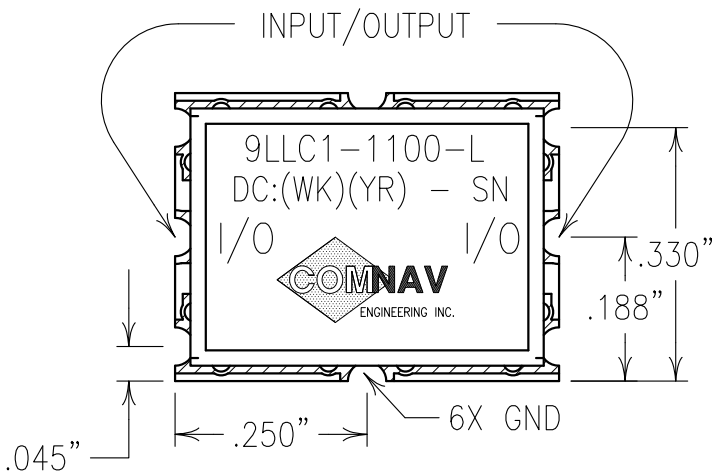


COPY

ELECTRICAL CHARACTERISTICS	
0.5 dB BANDWIDTH:	950-1050 MHz
INSERTION LOSS:	1.0 dB MAX
ATTENUATION:	
1230-1350 MHz:	40 dBc MIN
MAX. GROUP DELAY VARIATION BETWEEN 960-1040 MHz:	5 nSEC MAX
OPERATING TEMPERATURE:	-40 TO +70°C



Confidential and Proprietary information of ComNav Engineering Inc. Do Not Duplicate or Use Without Permission. ComNav Engineering Inc. claims Copyright in this document as of the Creation, last revision, and last updated dates. All Rights Reserved.

NOTES: NO TIN PLATING UNDER SOLDER MASK.
 RECOMMENDED ATTACHMENT METHOD: SILVER EPOXY
 OR REFLOW NOT TO EXCEED AS INDICATED BELOW:
 TEMP.(°C) MAX.TIME(SEC)

215	90	
230	60	
245	30	FILTER IS ROHS COMPLIANT.
260	15	FILTER MAY BE ETCHED OR LABELED.

ENGLISH / METRIC ENGLISH		CHECKED BY					
TOLERANCES UNLESS OTHERWISE SPECIFIED		DRAWN BY					
MACHINED SURFACES TO BE 125 / OR BETTER		PBF		II	04JAN11	KJR	DEV. INI. ISS. PER 3314
REMOVE ALL BURRS		ENGINEER		REV	DATE	BY	DCN No. REMARKS
ENGLISH (INCHES)		SCALE		APPLIC: CHIP AND WIRE FILTER			
METRIC (MM)		4:1		TITLE: 9LLC1-1100-L			
.XX ±.02		DATE		DRAWING No. OL1171			
.XXX ±.010		07JAN11		SHEET OF 1 1			
ANGLES ± 0° 30'		FINISH:		BOARD: NI/AU PLATED COPPER			
COMNAV ENGINEERING INC.		JACKET: NI/SILVER		RESONATOR: SILVER			