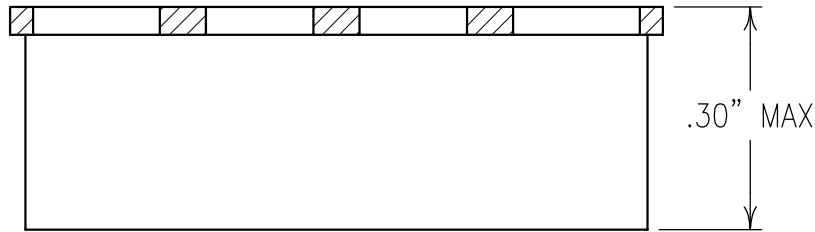


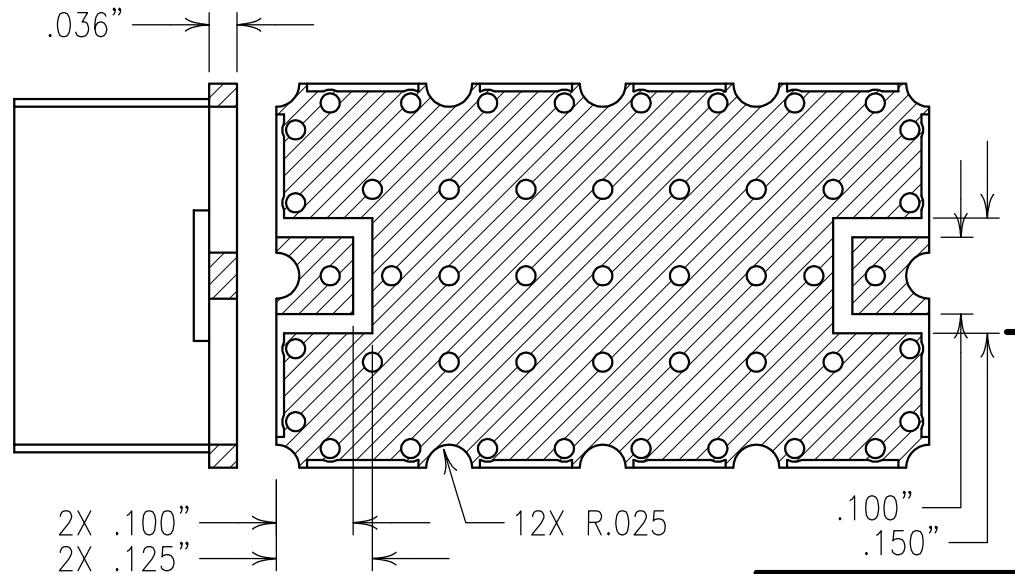
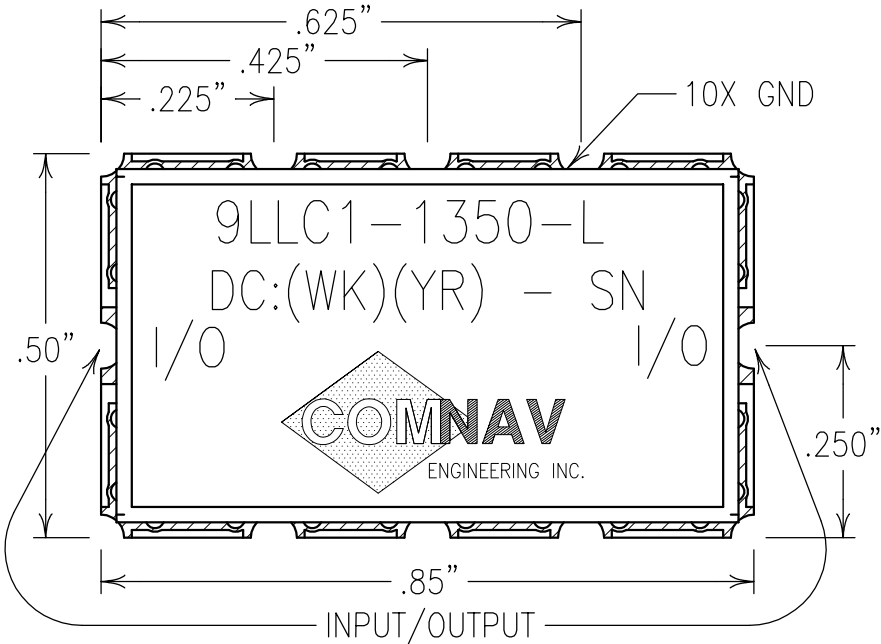
2

1



ELECTRICAL CHARACTERISTICS	
3 dB CUTOFF FREQ.:	1300 MHz MIN
STOPBAND ATTENUATION:	40 dB MIN AT 1600 MHz
POWER HANDLING:	1 WATT AVERAGE
TEMPERATURE RANGE:	-55 TO +85°C

COPY



BOARD FINISH/PLATING

Confidential and Proprietary information of ComNav Engineering Inc. Do Not Duplicate or Use Without Permission. ComNav Engineering Inc. claims Copyright in this document as of the Creation, last revision, and last updated dates. All Rights Reserved.

NOTES:	TEMP.(°C)	MAX. TIME (SECONDS)
RECOMMENDED ATTACHMENT METHOD:		
SILVER EPOXY OR REFLOW NOT TO EXCEED:	215	90
	230	60
FILTER IS ROHS COMPLIANT.	245	30
FILTER MAY BE LABELED OR ETCHED.	260	15

ENGLISH / METRIC ENGLISH	CHECKED BY				
TOLERANCES UNLESS OTHERWISE SPECIFIED MACHINED SURFACES TO BE 125/ OR BETTER REMOVE ALL BURRS	DRAWN BY PBF				
	ENGINEER KJR	II	08SEP09	KJR	DEV. INI. ISS. PER 3110
		REV	DATE	BY	DCN No. REMARKS
ENGLISH (INCHES) .XX ±.02 .XXX ±.01	METRIC (MM) .X ±.25 .XX ±.13	SCALE 4:1	APPLIC: CHIP AND WIRE FILTER		
ANGLES ± 0° 30'	DATE 09SEP09	TITLE: 9LLC1-1350-L			
	FINISH: BOARD: (ELECTROLESS NICKEL/ IMMERSION GOLD) 150±50 MICROINCHES NICKEL, 2-10 MICROINCHES GOLD JACKET: NI/SILVER RESONATOR: SILVER	DRAWING No.	SHEET/OF 1/1		
		0L1037			