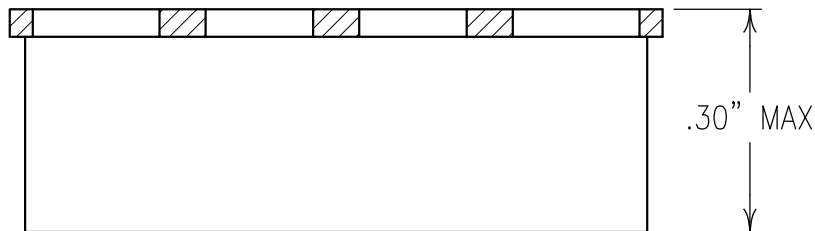


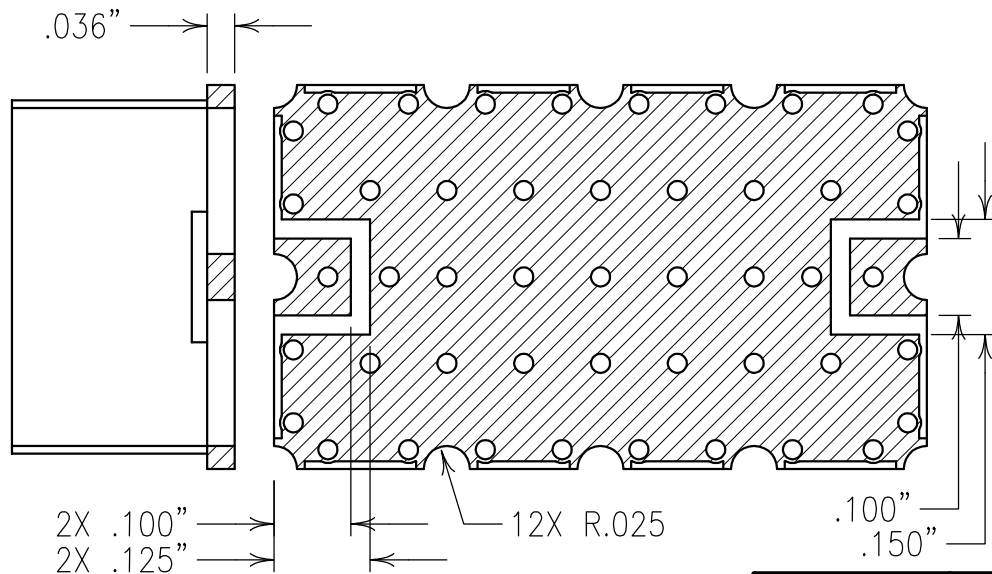
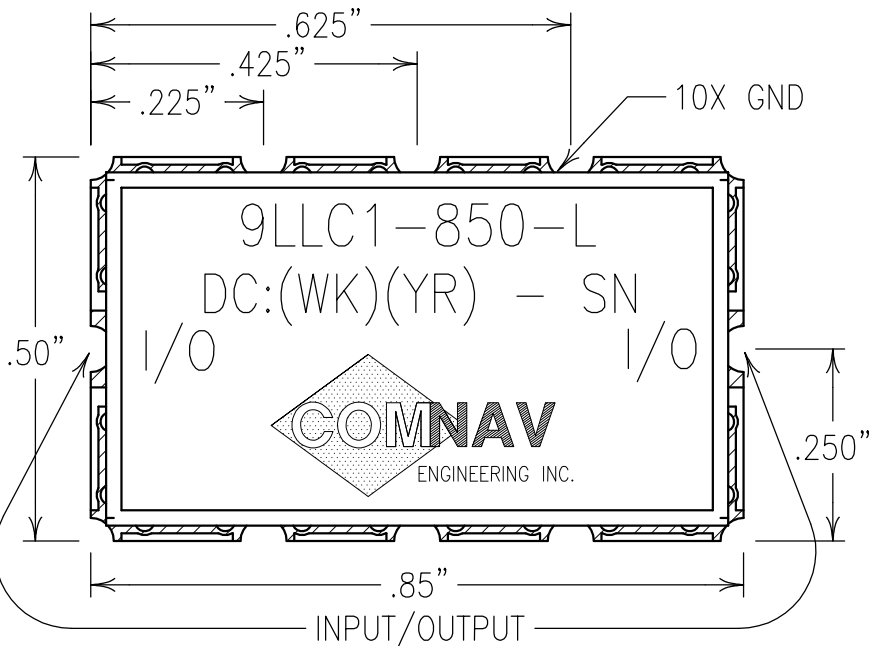
2

1



ELECTRICAL CHARACTERISTICS	
3 dB CUTOFF FREQ.:	800 MHz MIN
STOPBAND ATTENUATION:	40 dB MIN AT 1000 MHz
POWER HANDLING:	1 WATT AVERAGE
TEMPERATURE RANGE:	-55 TO +85°C

COPY



BOARD FINISH/PLATING

Confidential and Proprietary information of ComNav Engineering Inc. Do Not Duplicate or Use Without Permission. ComNav Engineering Inc. claims Copyright in this document as of the Creation, last revision, and last updated dates. All Rights Reserved.

NOTES:	TEMP.(°C)	MAX. TIME (SECONDS)
RECOMMENDED ATTACHMENT METHOD:		
SILVER EPOXY OR REFLOW NOT TO EXCEED:	215	90
	230	60
FILTER IS ROHS COMPLIANT.	245	30
FILTER MAY BE LABELED OR ETCHED.	260	15

ENGLISH / METRIC ENGLISH	CHECKED BY					
TOLERANCES UNLESS OTHERWISE SPECIFIED MACHINED SURFACES TO BE 125/ OR BETTER REMOVE ALL BURRS	DRAWN BY PBF	II	08SEP09	KJR	DEV.	INI. ISS. PER 3110
ENGLISH (INCHES) .XX ±.02 .XXX ±.01	ENGINEER KJR	REV	DATE	BY	DCN No.	REMARKS
METRIC (MM) .X ±.25 .XX ±.13	SCALE 4:1	APPLIC: CHIP AND WIRE FILTER				
ANGLES ± 0° 30'	DATE 09SEP09	TITLE: 9LLC1-850-L				
	FINISH: BOARD: (ELECTROLESS NICKEL/IMMERSION GOLD) 150±50 MICROINCHES NICKEL, 2-10 MICROINCHES GOLD JACKET: NI/SILVER RESONATOR: SILVER	DRAWING No. 0L1036		SHEET/OF 1/1		