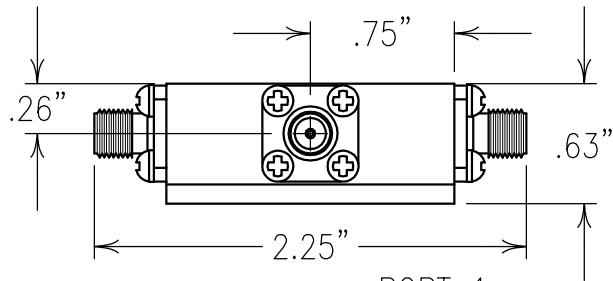


2

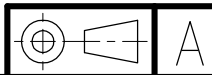
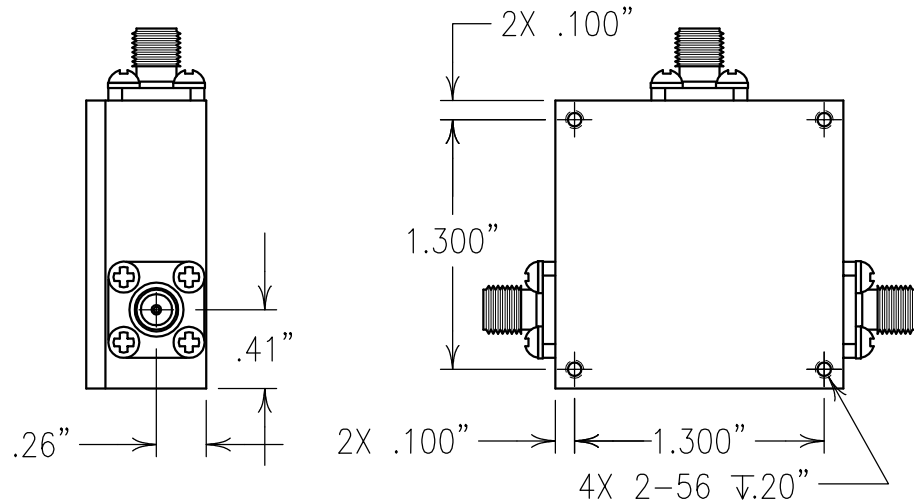
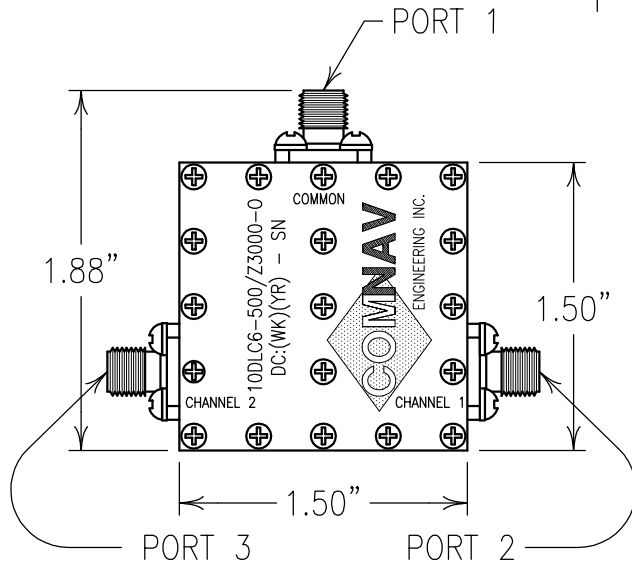
1



COPY

ELECTRICAL CHARACTERISTICS	
CHANNEL 1 PASSBAND:	DC-500 MHz
CHANNEL 1 REJECTION:	
625-3,000 MHz:	50 dBc
CHANNEL 2 PASSBAND:	500-3,000 MHz
CHANNEL 2 REJECTION:	
0-400 MHz:	50 dBc
CROSSOVER LOSS:	6 dB MAX
VSWR:	1.5:1

B



A

NOTES:

FILTER MAY BE LABELED OR ETCHED.
FILTER IS ROHS COMPLIANT.

ENGLISH / METRIC ENGLISH		CHECKED BY					
TOLERANCES UNLESS OTHERWISE SPECIFIED		DRAWN BY	A	14SEP09	MJG	DEV.	GEN. REV. PER 3113
MACHINED SURFACES TO BE 125 OR BETTER		ENGINEER	II	03JUL08	KJR	DEV.	INI. ISS. PER 2897
REMOVE ALL BURRS		MJG	REV	DATE	BY	DCN No.	REMARKS
ENGLISH (INCHES)	METRIC (MM)	SCALE		APPLIC: CHIP AND WIRE FILTER			
.XX ±.01	.X ±.2	1:1					
.XXX ±.005	.XX ±.13	DATE		TITLE:		SHEET OF	
ANGLES ± 0° 30'		17SEP09		10DLC6-500/Z3000-0		1 1	
		MATERIAL: ALUMINUM			DRAWING No.		
		FINISH: SILVER			0L0905		

Confidential and Proprietary information of ComNav Engineering Inc. Do Not Duplicate or Use Without Permission. ComNav Engineering Inc. claims Copyright in this document as of the Creation, last revision, and last updated dates. All Rights Reserved.