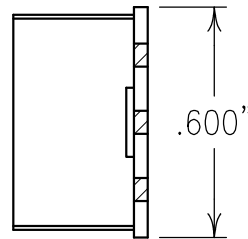
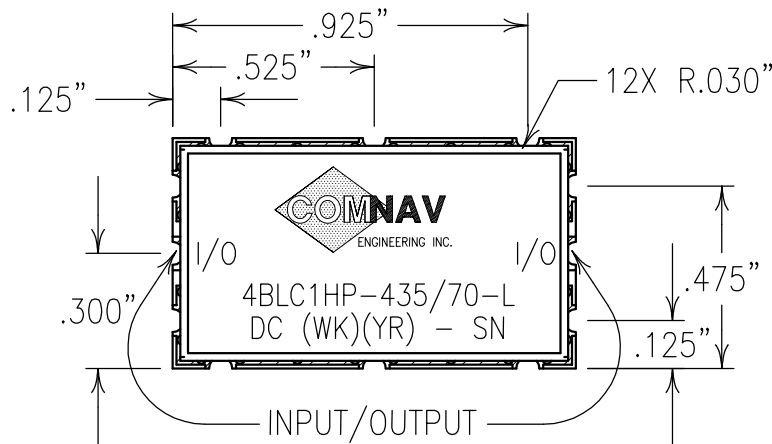
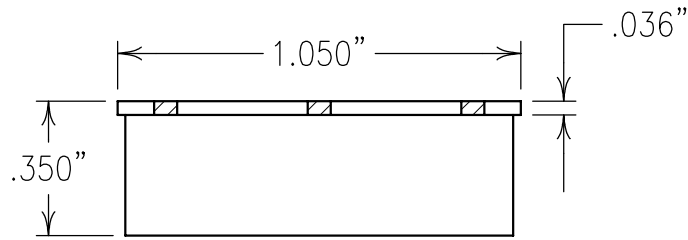


2

1

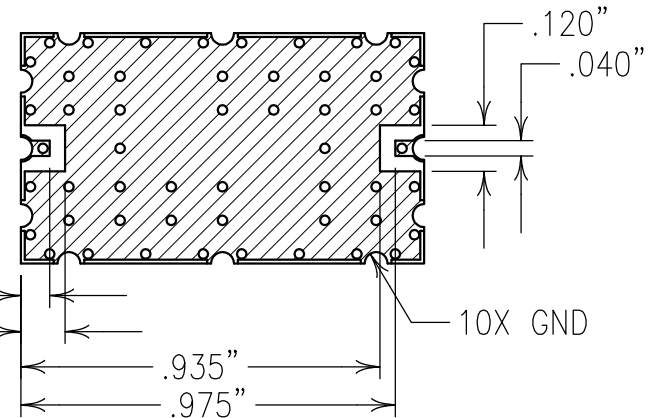


COPY

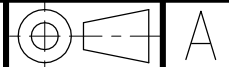
ELECTRICAL CHARACTERISTICS

CENTER FREQUENCY:	435 MHz
PASSBAND:	420-450 MHz
PASSBAND INSERTION LOSS:	0.85 dB MAX
PASSBAND FLATNESS:	0.2 dB MAX
PASSBAND RETURN LOSS:	14 dB MIN
ATTENUATION:	
DC-90 MHz:	80 dBc MIN*
210-300 MHz:	45 dBc MIN
650-900 MHz:	60 dBc MIN
1000-3100 MHz:	70 dBc MIN*
OPERATING TEMP.:	-40 TO +85°C
MAXIMUM POWER HANDLING:	40 WATTS IN PASSBAND INTO 10:1 MISMATCH

*DESIGN TO MEET



Confidential and Proprietary information of ComNav Engineering Inc. Do Not Duplicate or Use Without Permission. ComNav Engineering Inc. claims Copyright in this document as of the Creation, last revision, and last updated dates. All Rights Reserved.



NOTES:

NO TIN PLATING UNDER SOLDER MASK.
 RECOMMENDED ATTACHMENT METHOD: SILVER EPOXY
 OR REFLOW NOT TO EXCEED AS INDICATED BELOW:

TEMP.(°C) MAX.TIME(SEC)

215	90
230	60
245	30
260	15

FILTER IS ROHS COMPLIANT.

ENGLISH / METRIC ENGLISH	CHECKED BY B	27DEC07	KJR	DEV.	GEN. REV. PER 2820
TOLERANCES UNLESS OTHERWISE SPECIFIED	DRAWN BY A	14DEC07	KJR	DEV.	GEN. REV. PER 2803
MACHINED SURFACES TO BE 125 / OR BETTER	ENGINEER II	28SEP07	KJR	DEV.	INI. ISS. PER 2751
REMOVE ALL BURRS	REV	DATE	BY	DCN No.	REMARKS
ENGLISH (INCHES)	METRIC (MM)	SCALE 2:1	APPLIC: LC FILTER		
.XX ±.02	.X ±.25	DATE 07FEB08	TITLE: 4BLC1HP-435/70-L		
.XXX ±.010	.XX ±.13				
ANGLES ± 0° 30'	FINISH: BOARD: NI/AU PLATED COPPER JACKET: NI/SILVER RESONATOR: SILVER		DRAWING No. 0L0780		SHEET OF 1 1