

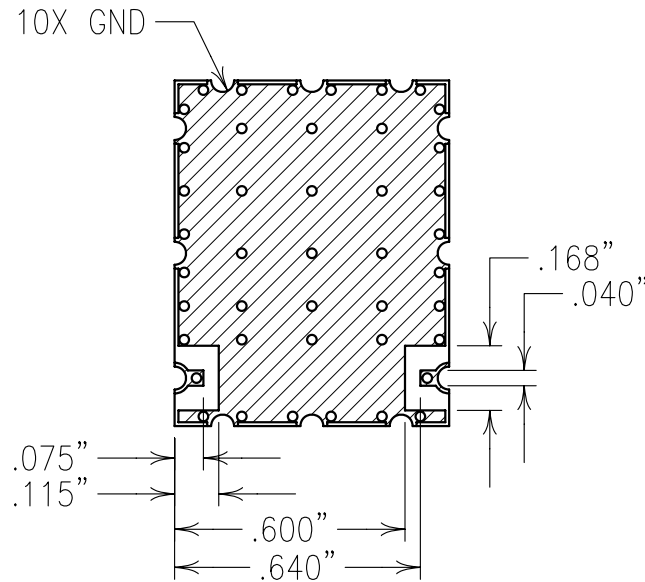
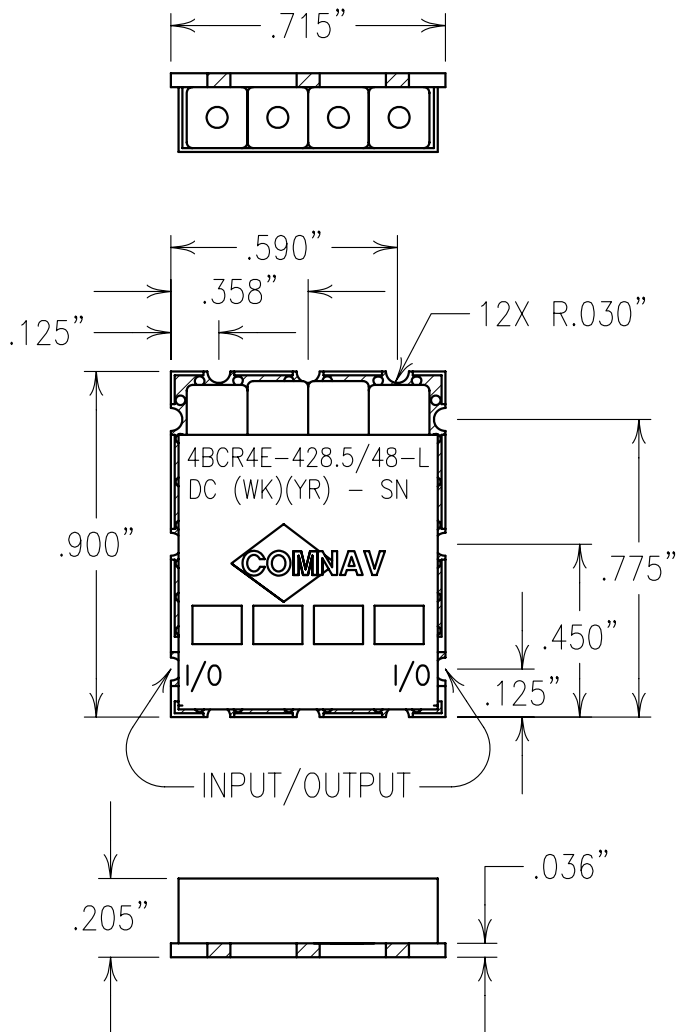
2

1

COPY

ELECTRICAL CHARACTERISTICS

CENTER FREQUENCY:	428.5 MHz
PASSBAND:	412-445 MHz
PASSBAND RIPPLE:	1.5 dB MAX
PASSBAND INSERTION LOSS:	3.0 dB MAX
RETURN LOSS:	1.7:1 TYPICAL
REJECTION:	
DC TO 380 MHz:	>25 dBc
495 MHz:	>25 dBc
ULTIMATE REJECTION:	>40 dBc



NOTES:
 NO TIN PLATING UNDER SOLDER MASK.
 RECOMMENDED ATTACHMENT METHOD: SILVER EPOXY
 OR REFLOW NOT TO EXCEED AS INDICATED BELOW:
 TEMP.(°C) MAX.TIME(SEC)

215	90
230	60
245	30
260	15

FILTER IS ROHS COMPLIANT.
 FILTER MAY BE ETCHED OR LABELED.

Confidential and Proprietary information of ComNav Engineering Inc. Do Not Duplicate or Use Without Permission. ComNav Engineering Inc. claims Copyright in this document as of the Creation, last revision, and last updated dates. All Rights Reserved.				A	
ENGLISH / METRIC ENGLISH	CHECKED BY				
TOLERANCES UNLESS OTHERWISE SPECIFIED	DRAWN BY				
MACHINED SURFACES TO BE 125 OR BETTER	ENGINEER	II	21SEP06	KJR	DEV. INI. ISS. PER 2570
REMOVE ALL BURRS	ENGINEER	REV	DATE	BY	DCN No. REMARKS
ENGLISH (INCHES)	METRIC (MM)	SCALE	APPLIC: CERAMIC COAXIAL FILTER		
.XX ±.02	.X ±.25	DATE	TITLE: 4BCR4E-428.5/48-L		
.XXX ±.010	.XX ±.13	28SEP06			
ANGLES ± 0° 30'	FINISH: BOARD: NI/AU PLATED COPPER JACKET: NI/SILVER RESONATOR: SILVER		DRAWING No.		SHEET OF
COMNAV ENGINEERING INC		0L0681		1 1	