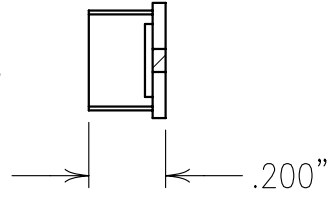
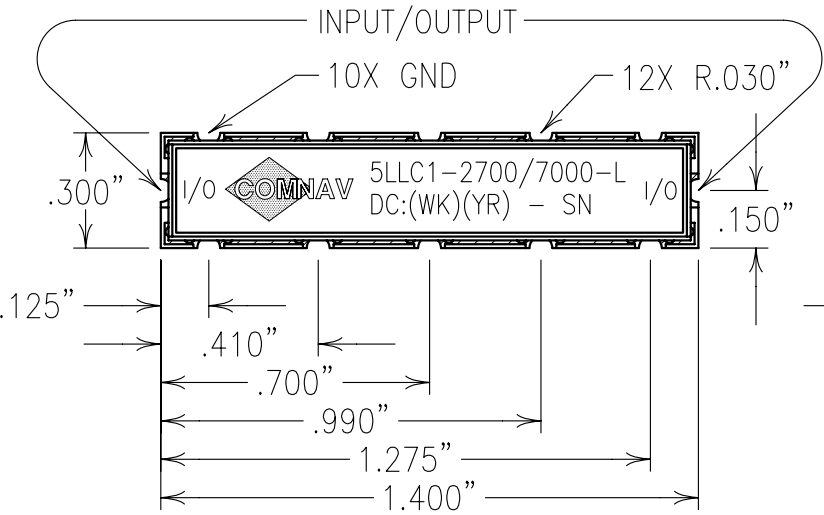


2

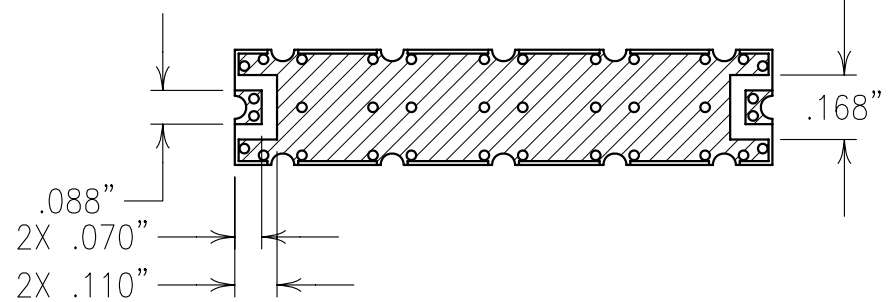
1

ELECTRICAL CHARACTERISTICS

| | |
|--------------------------|--------------|
| 3 dB CUTOFF FREQUENCY: | 2700 MHz NOM |
| LOSS @ DC-2600 MHz: | < 1.2 dB |
| FLATNESS: DC->2600 MHz: | < 1.2 dB |
| DELAY VAR: DC->2600 MHz: | < 3 nSEC |
| VSWR: | 1.5:1 TYP |
| REJECTION: | |
| 3150-3600 MHz: | 60 dBc |
| 3600-6000 MHz: | 40 dBc |



COPY



Confidential and Proprietary information of ComNav Engineering Inc. Do Not Duplicate or Use Without Permission. ComNav Engineering Inc. claims Copyright in this document as of the Creation, last revision, and last updated dates. All Rights Reserved.

NOTES:

RECOMMENDED ATTACHMENT METHOD: SILVER EPOXY OR REFLOW NOT TO EXCEED AS INDICATED BELOW:

| TEMP.(°C) | MAX.TIME(SEC) |
|-----------|---------------|
| 215 | 90 |
| 230 | 60 |
| 245 | 30 |
| 260 | 15 |

| | | | | | |
|---|------------|----|---------|------|-------------------------|
| ENGLISH / METRIC ENGLISH | CHECKED BY | | | | |
| TOLERANCES UNLESS OTHERWISE SPECIFIED | DRAWN BY | A | 16FEB04 | TLA | DEV. GEN. REV. PER 2183 |
| MACHINED SURFACES TO BE 125 / OR BETTER | ENGINEER | II | 03DEC03 | MJG | DEV. INI. ISS. PER 2146 |
| REMOVE ALL BURRS | ENGINEER | | REV | DATE | BY DCN No. REMARKS |

| | | | |
|------------------|-------------|---------|-------------------|
| ENGLISH (INCHES) | METRIC (MM) | SCALE | APPLIC: |
| .XX ±.02 | .X ±.5 | 2:1 | LC COAXIAL FILTER |
| .XXX ±.010 | .XX ±.25 | DATE | TITLE: |
| ANGLES ± 0° 30' | | 17FEB04 | 5LLC1-2700/7000-L |

| | | | |
|--|----------------------|-------------|--------------|
| | FINISH: BOARD: NI/AU | DRAWING No. | SHEET OF 1 1 |
| | JACKET: NI/SILVER | 0L0501 | |