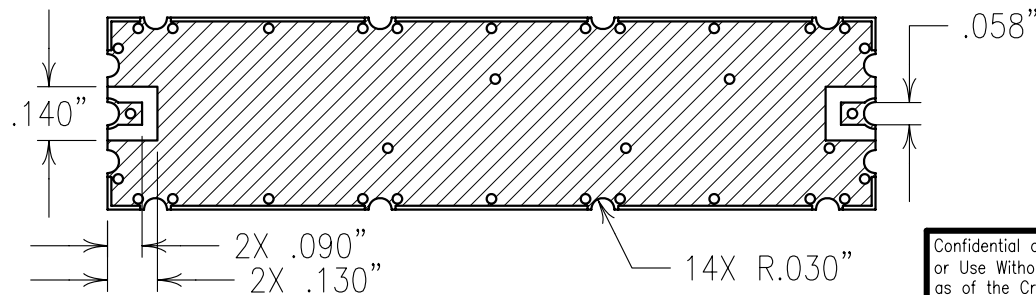
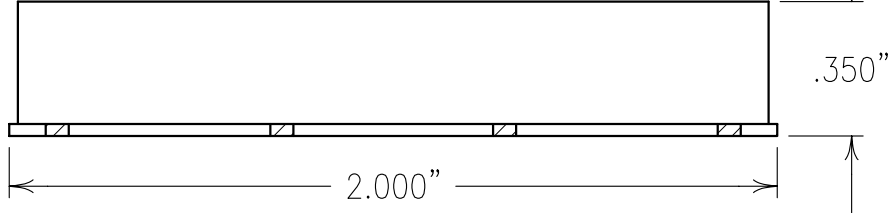
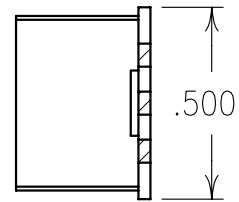
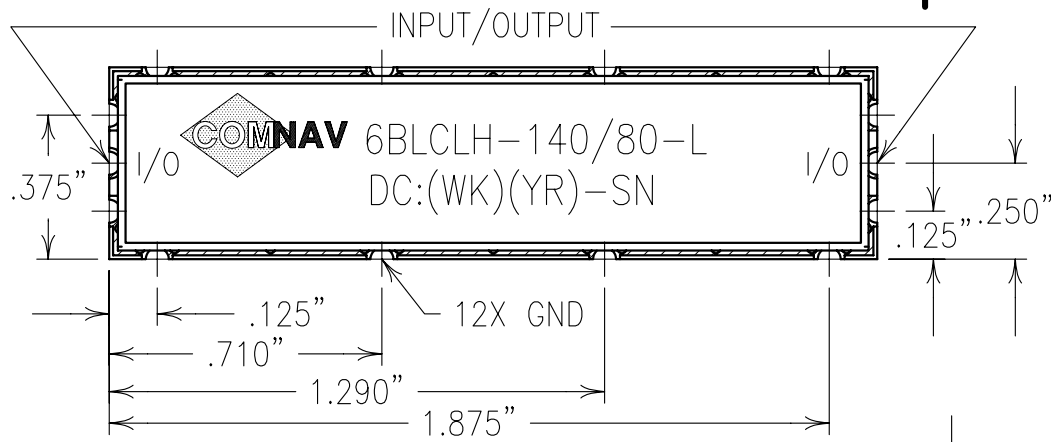


2

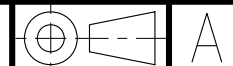
1



COPY

ELECTRICAL CHARACTERISTICS	
CENTER FREQUENCY:	140 MHz
LOSS @ fo:	<1.0 dB
3 dB BANDWIDTH:	80 MHz NOM.
1 dB BANDWIDTH:	72 MHz MIN.
DELAY ACROSS 1 dB:	
LINEAR:	<1.8 NSEC
PARABOLIC:	<10 NSEC
30 dB BANDWIDTH:	±100 MHz MAX
50 dBc:	500-1000 MHz
VSWR:	1.5:1 TYP.

Confidential and Proprietary information of ComNav Engineering Inc. Do Not Duplicate or Use Without Permission. ComNav Engineering Inc. claims Copyright in this document as of the Creation, last revision, and last updated dates. All Rights Reserved.



NOTES:

RECOMMENDED ATTACHMENT METHOD: SILVER EPOXY
OR REFLOW NOT TO EXCEED AS INDICATED BELOW:

TEMP.(°C)	MAX.TIME(SEC)
215	90
230	60
245	30
260	15

ENGLISH / METRIC ENGLISH	CHECKED BY				
TOLERANCES UNLESS OTHERWISE SPECIFIED	DRAWN BY PBF				
MACHINED SURFACES TO BE 125 OR BETTER	ENGINEER M/JG	II	05FEB03	M/JG	DEV.
REMOVE ALL BURRS	REV	DATE	BY	DCN No.	REMARKS
ENGLISH (INCHES) .XX ±.02 XXX ±.010	METRIC (MM) .X ±.25 XX ±.13	SCALE 2:1	APPLIC: COAXIAL FILTER		
ANGLES ± 0° 30'	DATE 14FEB03	TITLE: 6BLCLH-140/80-L			
	FINISH: BOARD: NI/AU PLATED COPPER JACKET: NI/SILVER	DRAWING No.		SHEET OF 1 1	
		0L0448			