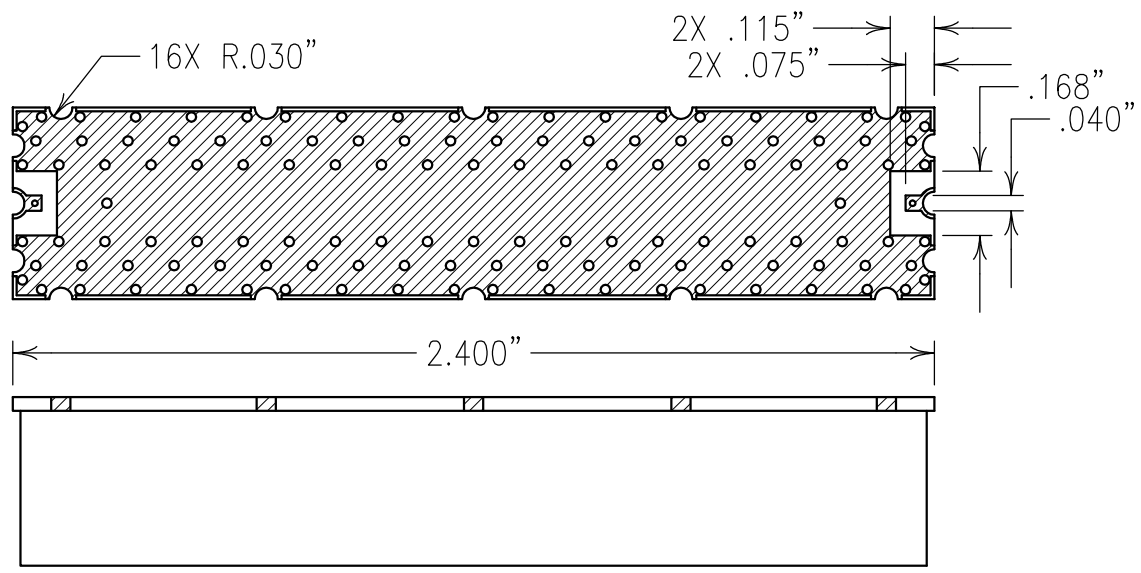


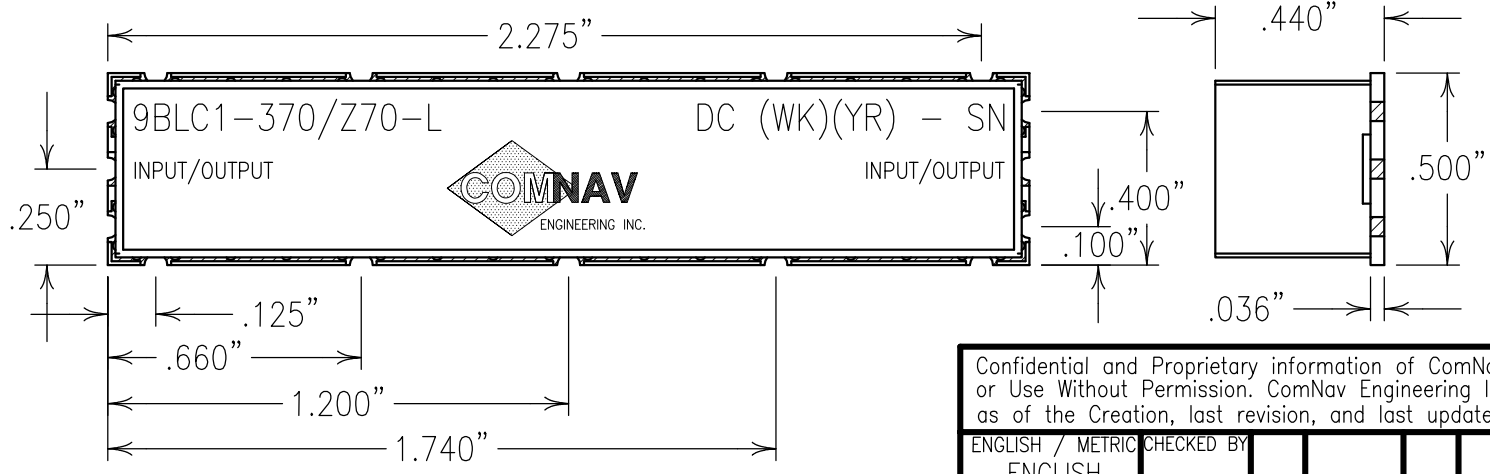
2

1

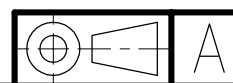


ELECTRICAL CHARACTERISTICS	
CENTER FREQUENCY: 370 MHz TYP.	
INSERTION LOSS:	
1.6 dB MAX @ 340-350 MHz	
2.2 dB MAX @ 350-380 MHz	
0.9 dB MAX @ 380-400 MHz	
PASSBAND FLATNESS:	
0.5 dB MAX @ 340-345 MHz	
0.4 dB MAX @ 345-390 MHz	
1.3 dB MAX @ 390-400 MHz	
RETURN LOSS:	
1.5:1 MAX @ 340-400 MHz	
ATTENUATION:	
DC-305 MHz:	50 dBc MIN.
420-455 MHz:	50 dBc MIN.
500-3000 MHz:	60 dBc MIN.
OPERATING TEMP.: -40 TO +85°C	
RF INPUT POWER:	
AVERAGE POWER:	+39 dBm
MAXIMUM POWER:	+44 dBm

B



**COPY**



NOTES:  
RECOMMENDED ATTACHMENT METHOD:  
SILVER EPOXY OR REFLOW NOT TO EXCEED AS INDICATED BELOW:

TEMP.(°C)	MAX.TIME(SEC)
215	90
230	60
245	30
260	15

FILTER IS ROHS COMPLIANT.  
FILTER MAY BE LABELED OR ETCHED.

Confidential and Proprietary information of ComNav Engineering Inc. Do Not Duplicate or Use Without Permission. ComNav Engineering Inc. claims Copyright in this document as of the Creation, last revision, and last updated dates. All Rights Reserved.

ENGLISH / METRIC ENGLISH	CHECKED BY				
TOLERANCES UNLESS OTHERWISE SPECIFIED MACHINED SURFACES TO BE 125/10 OR BETTER REMOVE ALL BURRS	DRAWN BY PBF				
ENGLISH (INCHES) .XX ±.02 .XXX ±.010	METRIC (MM) .X ±.50 .XX ±.25	SCALE 2:1	APPLIC: CHIP AND WIRE FILTER		
ANGLES ± 0° 30'	DATE 23DEC09	TITLE: 9BLC1-370/Z70-L	REMARKS INI. ISS. PER 3168		
FINISH: BOARD: NICKEL/GOLD JACKET: NICKEL/SILVER		DRAWING No. OL1064	SHEET OF 1 1		

A