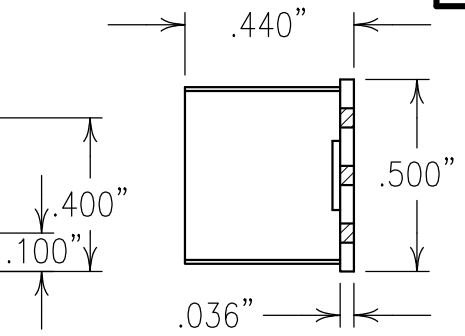
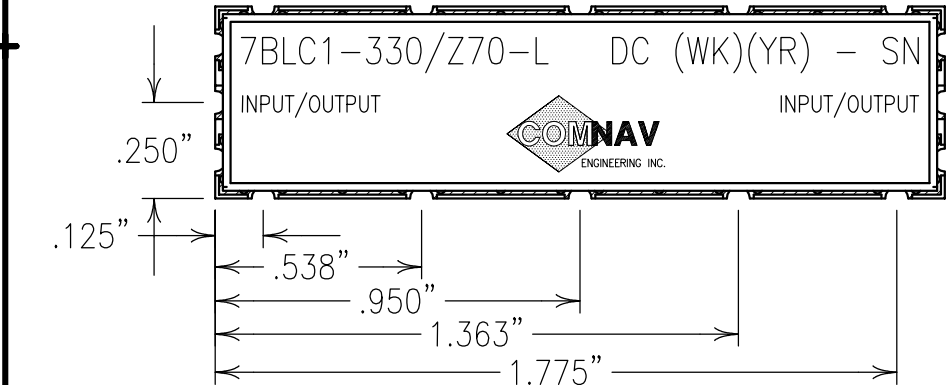


COPY

ELECTRICAL CHARACTERISTICS	
CENTER FREQUENCY: 330 MHz TYP.	
INSERTION LOSS:	
1.6 dB MAX @ 300-310 MHz	
0.9 dB MAX @ 310-350 MHz	
1.6 dB MAX @ 350-360 MHz	
PASSBAND FLATNESS:	
0.7 dB MAX @ 300-305 MHz	
0.4 dB MAX @ 305-355 MHz	
0.7 dB MAX @ 355-360 MHz	
RETURN LOSS:	
1.5:1 MAX @ 300-360 MHz	
ATTENUATION:	
DC-265 MHz:	50 dBc MIN.
395-3000 MHz:	50 dBc MIN.
OPERATING TEMP.: -40 TO +85°C	
RF INPUT POWER:	
AVERAGE POWER:	+39 dBm
MAXIMUM POWER:	+44 dBm



NOTES:
RECOMMENDED ATTACHMENT METHOD:
SILVER EPOXY OR REFLOW NOT TO EXCEED AS INDICATED BELOW:

TEMP.(°C)	MAX.TIME(SEC)
215	90
230	60
245	30
260	15

FILTER IS ROHS COMPLIANT.
FILTER MAY BE LABELED OR ETCHED.

Confidential and Proprietary information of ComNav Engineering Inc. Do Not Duplicate or Use Without Permission. ComNav Engineering Inc. claims Copyright in this document as of the Creation, last revision, and last updated dates. All Rights Reserved.

ENGLISH / METRIC ENGLISH	CHECKED BY				
TOLERANCES UNLESS OTHERWISE SPECIFIED	DRAWN BY				
MACHINED SURFACES TO BE 125 / OR BETTER	PBF				
REMOVE ALL BURRS	ENGINEER	II	16DEC09	KJR	DEV. INI. ISS. PER 3168
	KJR	REV	DATE	BY	DCN No. REMARKS

ENGLISH (INCHES)	METRIC (MM)	SCALE	APPLIC:
.XX ±.02	.X ±.50	2:1	CHIP AND WIRE FILTER
.XXX ±.010	.XX ±.25	DATE	TITLE:
ANGLES ± 0° 30'		23DEC09	7BLC1-330/Z70-L

	FINISH: BOARD: NICKEL/GOLD JACKET: NICKEL/SILVER	DRAWING No.	SHEET OF
		OL1063	1 1