

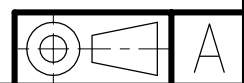
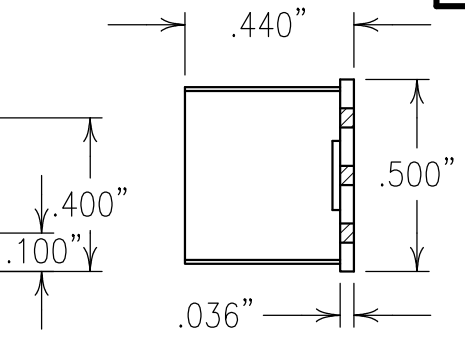
COPY

ELECTRICAL CHARACTERISTICS	
CENTER FREQUENCY: 290 MHz TYP.	
INSERTION LOSS:	
1.4 dB MAX @ 260-263 MHz	
0.9 dB MAX @ 263-317 MHz	
1.4 dB MAX @ 317-320 MHz	
PASSBAND FLATNESS:	
0.7 dB MAX @ 260-263 MHz	
0.4 dB MAX @ 263-317 MHz	
0.7 dB MAX @ 317-320 MHz	
RETURN LOSS:	
1.5:1 MAX @ 260-320 MHz	
ATTENUATION:	
DC-225 MHz:	50 dBc MIN.
355-3000 MHz:	50 dBc MIN.
OPERATING TEMP.: -40 TO +85°C	
RF INPUT POWER:	
AVERAGE POWER:	+39 dBm
MAXIMUM POWER:	+44 dBm

NOTES:
 RECOMMENDED ATTACHMENT METHOD:
 SILVER EPOXY OR REFLOW NOT TO EXCEED AS INDICATED BELOW:

TEMP.(°C)	MAX.TIME(SEC)
215	90
230	60
245	30
260	15

FILTER IS ROHS COMPLIANT.
 FILTER MAY BE LABELED OR ETCHED.



Confidential and Proprietary information of ComNav Engineering Inc. Do Not Duplicate or Use Without Permission. ComNav Engineering Inc. claims Copyright in this document as of the Creation, last revision, and last updated dates. All Rights Reserved.

ENGLISH / METRIC ENGLISH	CHECKED BY				
TOLERANCES UNLESS OTHERWISE SPECIFIED MACHINED SURFACES TO BE 125/100 OR BETTER REMOVE ALL BURRS	DRAWN BY PBF				
	ENGINEER KJR	REV II	DATE 16DEC09	BY KJR	DEV. DEV.
				DCN No.	REMARKS INI. ISS. PER 3168

ENGLISH (INCHES) .XX ±.02 .XXX ±.010	METRIC (MM) .X ±.50 .XX ±.25	SCALE 2:1	APPLIC: CHIP AND WIRE FILTER
ANGLES ± 0° 30'	DATE 23DEC09	TITLE: 7BLC1-290/Z70-L	

COMNAV ENGINEERING INC.	FINISH: BOARD: NICKEL/GOLD JACKET: NICKEL/SILVER	DRAWING No. OL1062	SHEET OF 1 1
----------------------------	---	-----------------------	-----------------