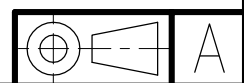
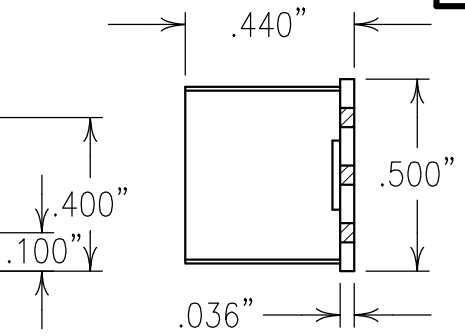
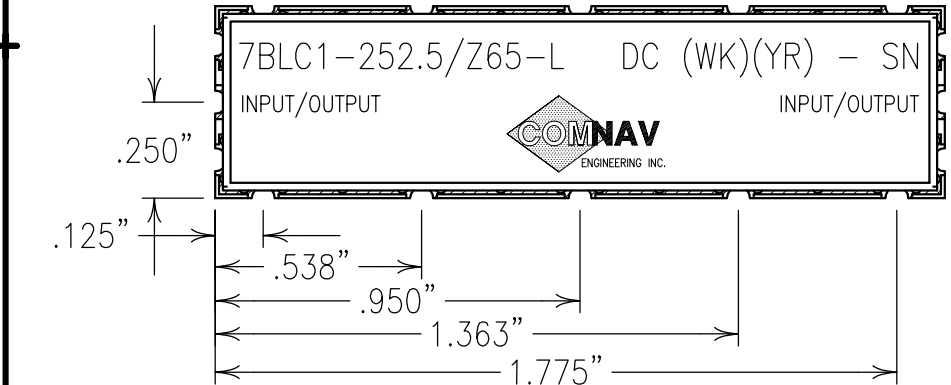


COPY

ELECTRICAL CHARACTERISTICS	
CENTER FREQUENCY: 252.5 MHz TYP.	
INSERTION LOSS:	
1.2 dB MAX @ 225-227 MHz	
0.9 dB MAX @ 227-278 MHz	
1.2 dB MAX @ 278-280 MHz	
PASSBAND FLATNESS:	
0.6 dB MAX @ 225-227 MHz	
0.4 dB MAX @ 227-278 MHz	
0.6 dB MAX @ 278-280 MHz	
RETURN LOSS:	
1.5:1 MAX @ 225-280 MHz	
ATTENUATION:	
DC-190 MHz:	50 dBc MIN.
315-3000 MHz:	50 dBc MIN.
OPERATING TEMP.: -40 TO +85°C	
RF INPUT POWER:	
AVERAGE POWER:	+39 dBm
MAXIMUM POWER:	+44 dBm



NOTES:
RECOMMENDED ATTACHMENT METHOD:
SILVER EPOXY OR REFLOW NOT TO EXCEED AS INDICATED BELOW:

TEMP.(°C)	MAX.TIME(SEC)
215	90
230	60
245	30
260	15

FILTER IS ROHS COMPLIANT.
FILTER MAY BE LABELED OR ETCHED.

Confidential and Proprietary information of ComNav Engineering Inc. Do Not Duplicate or Use Without Permission. ComNav Engineering Inc. claims Copyright in this document as of the Creation, last revision, and last updated dates. All Rights Reserved.

ENGLISH / METRIC	CHECKED BY					
ENGLISH						
TOLERANCES UNLESS OTHERWISE SPECIFIED	DRAWN BY					
MACHINED SURFACES TO BE 125/100 OR BETTER	PBF					
REMOVE ALL BURRS	ENGINEER	II	16DEC09	KJR	DEV.	INI. ISS. PER 3168
	KJR	REV	DATE	BY	DCN No.	REMARKS
ENGLISH (INCHES)	METRIC (MM)	SCALE		APPLIC:		
.XX ±.02	.X ±.50	2:1		CHIP AND WIRE FILTER		
.XXX ±.010	.XX ±.25	DATE		TITLE:		
ANGLES ± 0° 30'	23DEC09			7BLC1-252.5/Z65-L		

	FINISH: BOARD: NICKEL/GOLD JACKET: NICKEL/SILVER	DRAWING No.	SHEET OF
		OL1061	1 1