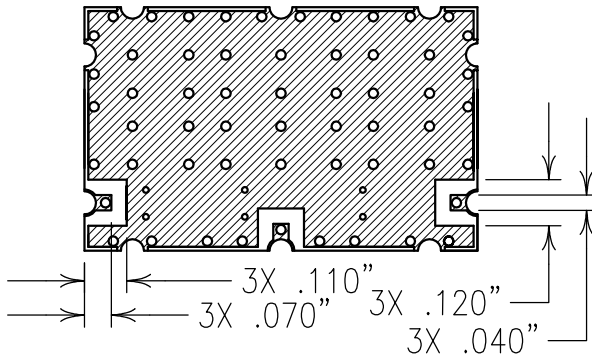
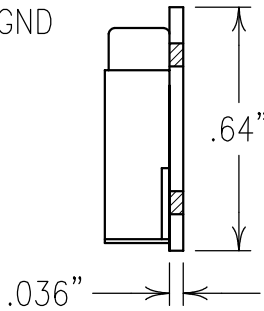
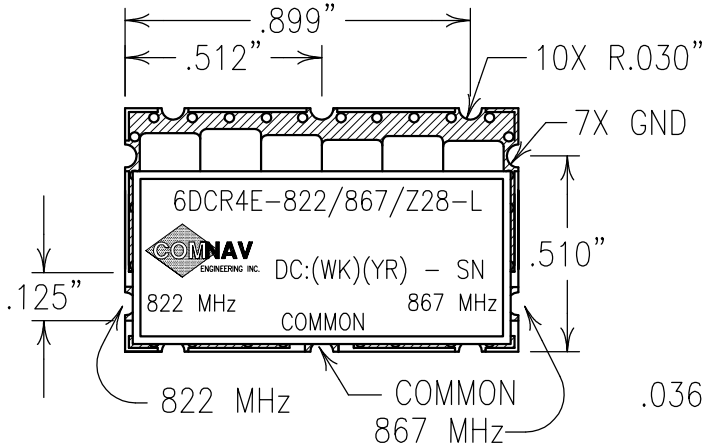
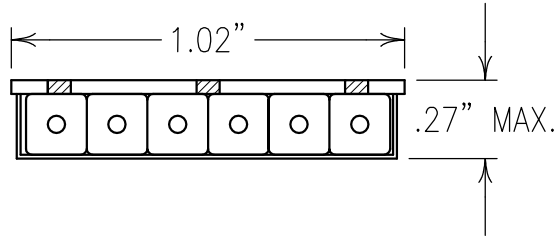
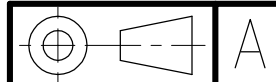


COPY



ELECTRICAL CHARACTERISTICS

TX CHANNEL SPECS		RX CHANNEL SPECS	
CENTER FREQUENCY: 822 MHz NOM		CENTER FREQUENCY: 867 MHz NOM	
PASSBAND: 815-830 MHz		PASSBAND: 860-875 MHz	
INSERTION LOSS:		INSERTION LOSS:	
2.6 dB MAX @ +25°C		2.1 dB MAX @ +25°C	
3.1 dB MAX @ -40 TO +85°C		2.6 dB MAX @ -40 TO +85°C	
PASSBAND FLATNESS: 1.0 dB MAX P-P		PASSBAND FLATNESS: 1.0 dB MAX P-P	
REJECTION TX TO ANT. PORT.:		REJECTION RX TO ANT. PORT.:	
20 dBc MIN @ DC-785 MHz		45 dBc MIN @ 430-437.5 MHz	
40 dBc MIN @ 860-925 MHz		25 dBc MIN @ 470-477.5 MHz	
40 dBc MIN @ 1740 MHz		25 dBc MIN @ 815-830 MHz	
ISOLATION TX TO RX PORT:		40 dBc MIN @ 940-955 MHz	
40 dBc MIN @ 860-875 MHz		25 dBc MIN @ 1337.5-1385 MHz	
PASSBAND RETURN LOSS @ TX PORT:		PASSBAND RETURN LOSS @ TX PORT:	
12.5 dB MAX		12.5 dB MAX	
MAXIMUM INPUT POWER: 2 WATTS (ALL PORTS)			



Confidential and Proprietary information of ComNav Engineering Inc. Do Not Duplicate or Use Without Permission. ComNav Engineering Inc. claims Copyright in this document as of the Creation, last revision, and last updated dates. All Rights Reserved.

NOTES:

RECOMMENDED ATTACHMENT METHOD:
SILVER EPOXY OR REFLOW NOT TO EXCEED:

TEMP.(°C)	MAX. TIME (SECONDS)
215	90
230	60
245	30
260	15

FILTER IS ROHS COMPLIANT.
FILTER MAY BE LABELED OR ETCHED.

ENGLISH / METRIC ENGLISH	CHECKED BY				
TOLERANCES UNLESS OTHERWISE SPECIFIED MACHINED SURFACES TO BE 125/ OR BETTER REMOVE ALL BURRS	DRAWN BY EEF	II	17NOV09	KJR	DEV. INI. ISS. PER 3153
ENGLISH (INCHES) .XX ±.02 .XXX ±.01	ENGINEER KJR	REV	DATE	BY	DCN No. REMARKS
METRIC (MM) .X ±.25 .XX ±.13	SCALE 2:1	APPLIC: CERAMIC COAXIAL FILTER			
ANGLES ± 0° 30'	DATE 24NOV09	TITLE: 6DCR4E-822/867/Z28-L			
COMNAV ENGINEERING INC.	FINISH: BOARD: NI/AU JACKET: NI/SILVER RESONATOR: SILVER	DRAWING No. OL1058		SHEET/OF 1/1	