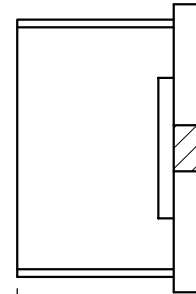
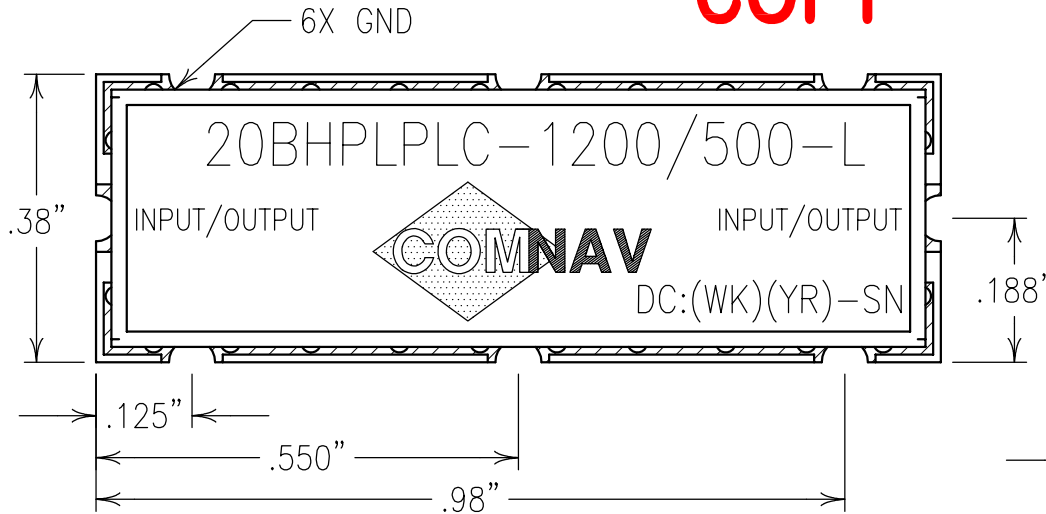
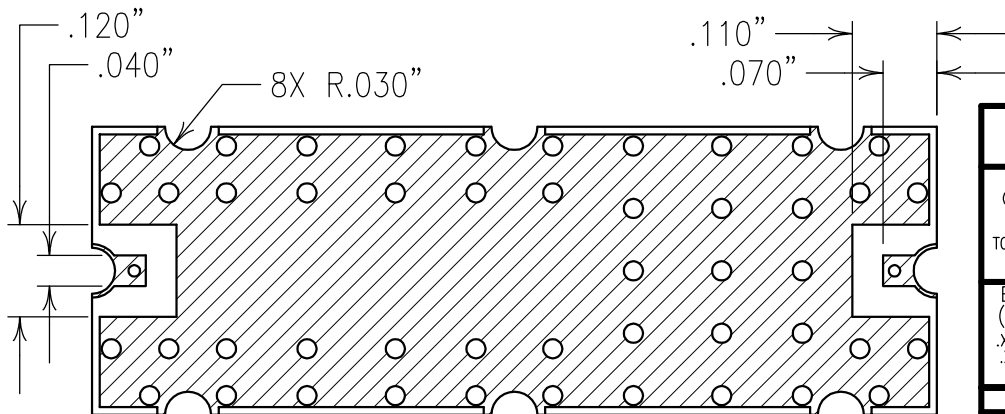
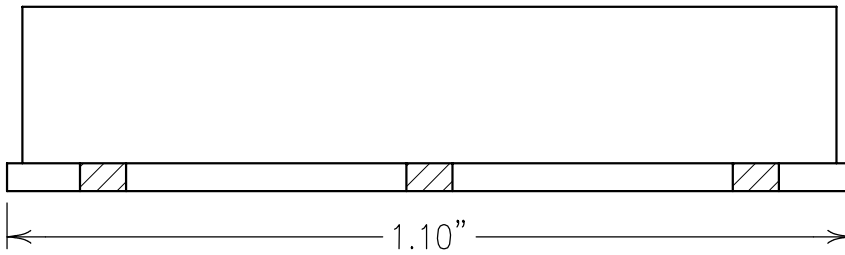


COPY



ELECTRICAL CHARACTERISTICS	
CENTER FREQUENCY:	1200 MHz
PASSBAND:	1000-1400 MHz
PASSBAND FLATNESS:	0.25 dB MAX
PASSBAND LOSS:	1.0 dB MAX
PB RETURN LOSS:	17.7 dB
REJECTION:	
	35 dBc MIN @ 700 MHz
	40 dBc MIN @ 1850 MHz
	50 dBc MIN @ 2500 MHz
OPERATING TEMP.:	-25 TO +80°C
POWER HANDLING:	+13 dBm



NOTES:

RECOMMENDED ATTACHMENT METHOD: SILVER EPOXY OR REFLOW NOT TO EXCEED AS INDICATED BELOW:

TEMP.(°C)	MAX.TIME(SEC)
215	90
230	60
245	30
260	15

FILTER IS ROHS COMPLIANT

Confidential and Proprietary information of ComNav Engineering Inc. Do Not Duplicate or Use Without Permission. ComNav Engineering Inc. claims Copyright in this document as of the Creation, last revision, and last updated dates. All Rights Reserved.

ENGLISH / METRIC ENGLISH		CHECKED BY							
TOLERANCES UNLESS OTHERWISE SPECIFIED MACHINED SURFACES TO BE 125 / OR BETTER REMOVE ALL BURRS		DRAWN BY PBF							
		ENGINEER KJR		II	26OCT09	KJR	DEV.	INI. ISS. PER 3142	
ENGLISH (INCHES) .XX ±.02 .XXX ±.01		METRIC (MM) .X ±.25 .XX ±.13		SCALE 4:1	APPLIC: LC FILTER				
ANGLES ± 0° 30'		DATE 02NOV09		TITLE: 20BHPLPLC-1200/500-L					
COMNAV ENGINEERING INC		FINISH: BOARD: NI/GOLD JACKET: NI/SILVER RESONATOR: SILVER			DRAWING No. 0L1052			SHEET/OF 1 / 1	