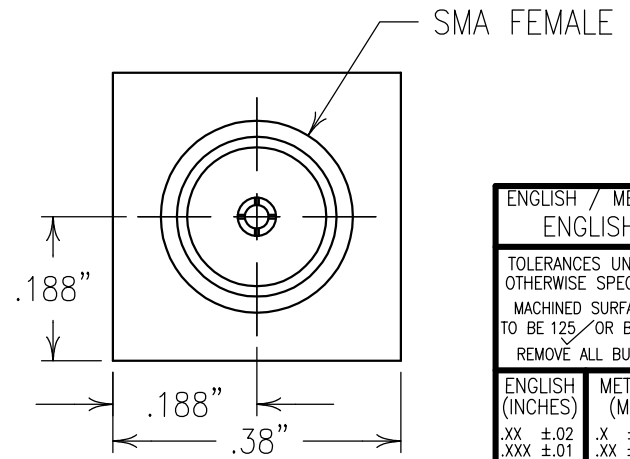
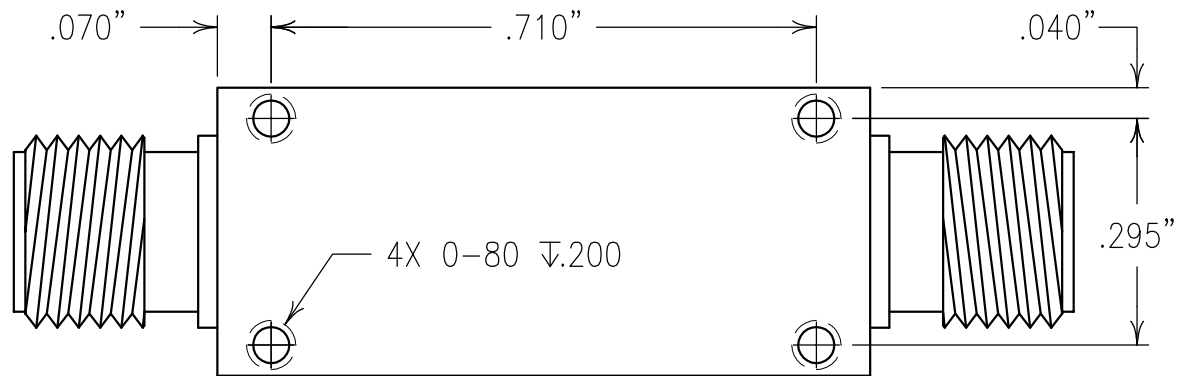
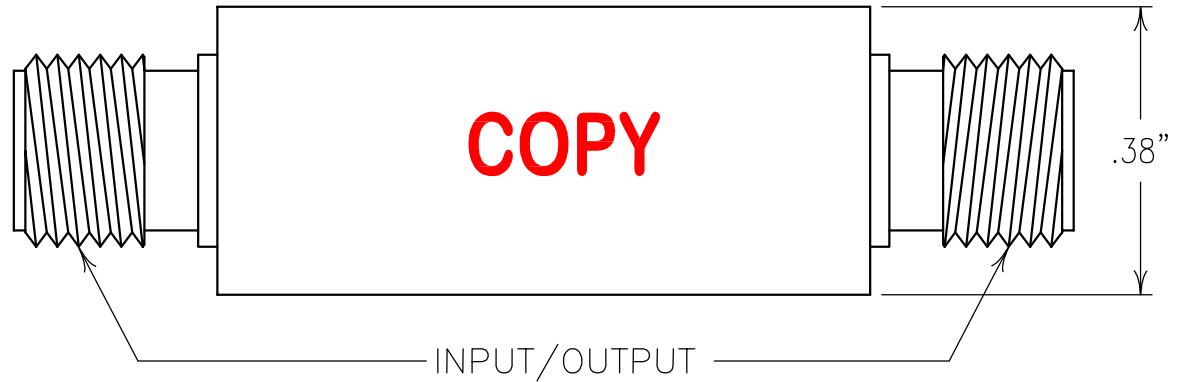
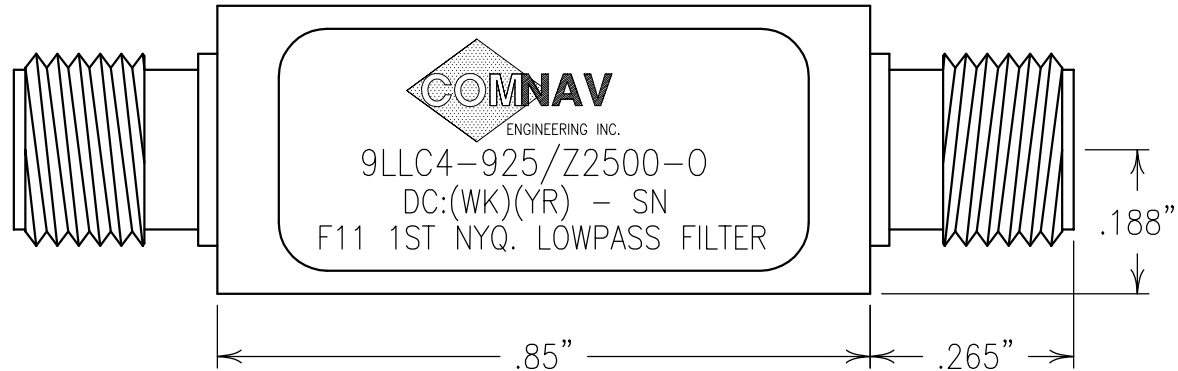


2

1

ELECTRICAL CHARACTERISTICS

3 dB CUTOFF: 905 MHz MIN
 VSWR BANDWIDTH: 900 MHz MIN
 RETURN LOSS: 1.4:1 MAX
 INSERTION LOSS: 1.0 dB MAX @ 900 MHz
 REJECTION:
 Fc + 100 MHz 15 dBc MIN
 Fc + 500 MHz 20 dBc MIN
 Fc + 700 MHz 50 dBc MIN
 Fc + 1500 MHz 60 dBc MIN
 ULTIMATE REJECTION: 60 dBc MIN
 IMPEDANCE: 50 OHMS IN/OUT



| ENGLISH / METRIC | |
|---------------------------------------|-------------|
| ENGLISH | |
| TOLERANCES UNLESS OTHERWISE SPECIFIED | |
| MACHINED SURFACES TO BE 125 OR BETTER | |
| REMOVE ALL BURRS | |
| ENGLISH (INCHES) | METRIC (MM) |
| .XX ±.02 | .X ±.4 |
| .XXX ±.01 | .XX ±.25 |
| ANGLES ± 0° 30' | |

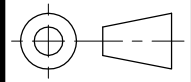
NOTES:
 FILTER IS ROHS COMPLIANT.



| | | | | | |
|------------|---------|---------|-------------------|----------|--------------------|
| CHECKED BY | | | | | |
| DRAWN BY | PBF | | | | |
| ENGINEER | II | 09OCT09 | KJR | DEV. | INI. ISS. PER 3137 |
| | KJR | REV | DATE | BY | DCN No. |
| SCALE | 4:1 | APPLIC: | LC FILTER | | |
| DATE | 14OCT09 | TITLE: | 9LLC4-925/Z2500-0 | SHEET OF | 1 1 |

| | |
|---|-------------|
| MATERIAL: LID: NICKEL/SILVER | DRAWING No. |
| BASE: ALUMINUM 6061-T6 | |
| FINISH: LID: NONE | OL1044 |
| BASE: SILVER MATTE OVER COPPER WITH TARNA-BAN MILSPEC QQS-365 | |

Confidential and Proprietary information of ComNav Engineering Inc. Do Not Duplicate or Use Without Permission. ComNav Engineering Inc. claims Copyright in this document as of the Creation, last revision, and last updated dates. All Rights Reserved.



A