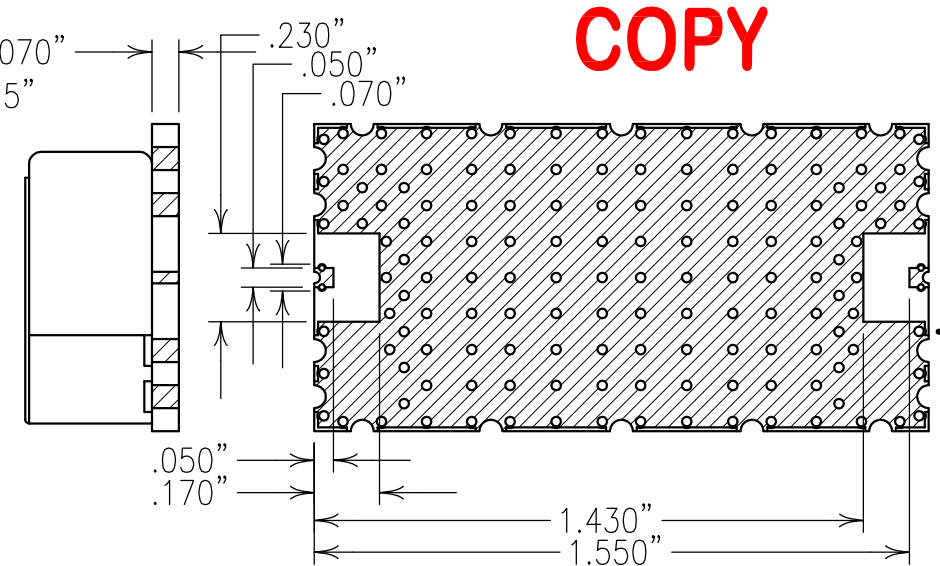
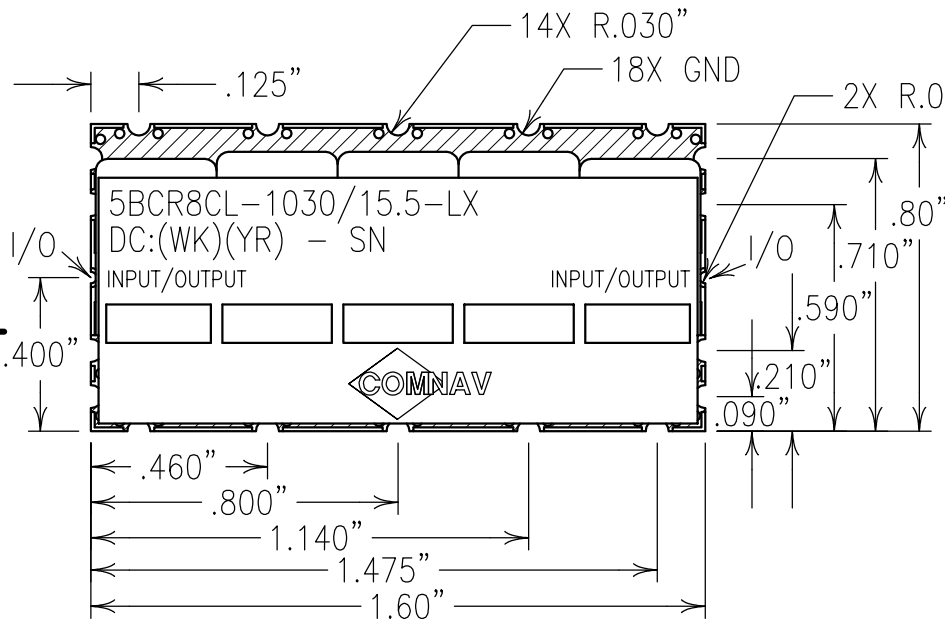


ELECTRICAL CHARACTERISTICS			
CENTER FREQUENCY:	1030 MHz	NOMINAL IMPEDANCE:	50 OHMS
3 dB BANDWIDTH:	15.5 MHz NOM	PASSBAND LINEAR PHASE:	5° PK/PK MAX
ATTENUATION:		REJECTIONS	
1024.5 TO 1035.5 MHz:	1.5 dB MAX	DC-910 MHz:	>74 dBc
PASSBAND:	1025.5-1034.5 MHz	<=1020.5, >=1039.5 MHz:	>9.5 dBc
PASSBAND FLATNESS:	0.7 dB PK/PK MAX	<=1018, >=1042 MHz:	>15 dBc
PASSBAND VSWR:	1.5:1 MAX	<=1005, 1055-10000 MHz:	>45 dBc
LOSS @ 1030 MHz:	3.3±0.5 dB	MAX. INPUT POWER:	+30 dBm CW
IMPEDANCE AT DC:	>10 K OHMS	OPERATING TEMP:	-40° TO +85° C
		STORAGE TEMP:	-57° TO +85° C



NOTES:

RECOMMENDED ATTACHMENT METHOD: SILVER EPOXY OR REFLOW NOT TO EXCEED AS INDICATED BELOW:

TEMP.(°C)	MAX.TIME(SEC)
215	90
230	60
245	30
260	15

Confidential and Proprietary information of ComNav Engineering Inc. Do Not Duplicate or Use Without Permission. ComNav Engineering Inc. claims Copyright in this document as of the Creation, last revision, and last updated dates. All Rights Reserved.

ENGLISH / METRIC ENGLISH		CHECKED BY			
TOLERANCES UNLESS OTHERWISE SPECIFIED		DRAWN BY		PBF	
MACHINED SURFACES TO BE 125 / OR BETTER		ENGINEER		KJR	
REMOVE ALL BURRS		REV	DATE	BY	DCN No.
ENGLISH (INCHES)		SCALE		APPLIC:	
.XX ±.02		2:1		CERAMIC COAXIAL FILTER	
.XXX ±.01		DATE		TITLE:	
ANGLES ± 0° 30'		15JUN09		5BCR8CL-1030/15.5-LX	
COMNAV ENGINEERING INC		FINISH:		DRAWING No.	
		BOARD: (ELECTROLESS NICKEL/IMMERSION GOLD 150±50 MICRORINCHES NICKEL, 2-10 GOLD)		OL1020	
		JACKET: NI/SILVER		RESONATOR: SILVER	
				SHEET OF 1 1	