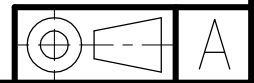
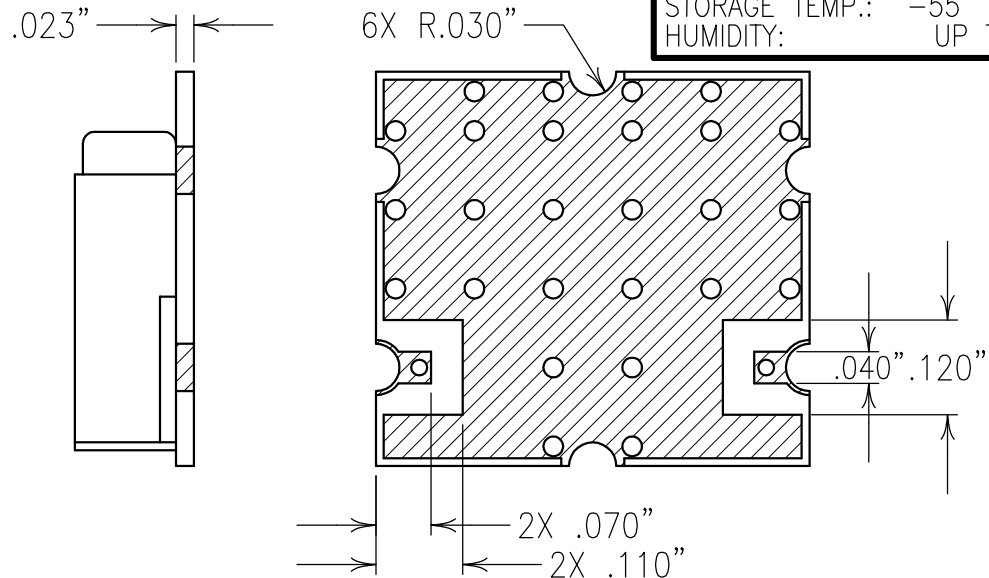
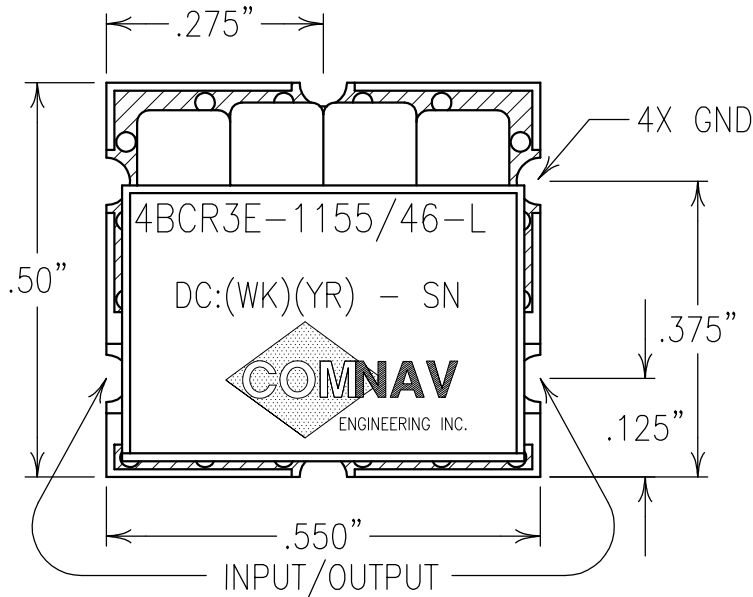


COPY

ELECTRICAL CHARACTERISTICS	
CENTER FREQUENCY:	1155 MHz nom
PASSBAND:	1135 - 1175 MHz
PASSBAND VARIATION:	0.5 dB
INSERTION LOSS:	3 dB
REJECTION:	DC-900 MHz: 60 dBc
	900-1015 MHz: 50 dBc
	1250-1350 MHz: 30 dBc
	1350-2500 MHz: 50 dBc
PASSBAND VSWR:	≤ 1.5:1
POWER HANDLING:	+20 dBm
OPERATIONAL TEMP.:	0° TO +60°C
STORAGE TEMP.:	-55° TO +85°C
HUMIDITY:	UP TO 95%



Confidential and Proprietary information of ComNav Engineering Inc. Do Not Duplicate or Use Without Permission. ComNav Engineering Inc. claims Copyright in this document as of the Creation, last revision, and last updated dates. All Rights Reserved.

NOTES:

NO TIN PLATING UNDER SOLDER MASK.

RECOMMENDED ATTACHMENT METHOD: SILVER EPOXY OR REFLOW NOT TO EXCEED AS INDICATED BELOW:

TEMP.(°C) MAX.TIME(SEC)

215	90
230	60
245	30
260	15

FILTER IS ROHS COMPLIANT.
 FILTER MAY BE ETCHED OR LABELED.

ENGLISH / METRIC		CHECKED BY					
ENGLISH		DRAWN BY					
TOLERANCES UNLESS OTHERWISE SPECIFIED		EEF					
MACHINED SURFACES TO BE 125/ OR BETTER		ENGINEER		II 06MAR09 KJR DEV.		INI. ISS. PER 3025	
REMOVE ALL BURRS		KJR		REV DATE BY DCN No.		REMARKS	
ENGLISH (INCHES)	METRIC (MM)	SCALE		APPLIC: CERAMIC COAXIAL FILTER			
.XX ±.02	.X ±.25	4:1		TITLE: 4BCR3E-1155/46-L			
.XXX ±.010	.XX ±.13	DATE					
ANGLES ± 0° 30'		17MAR09					
		FINISH:		BOARD: NI/GOLD		DRAWING No.	
				JACKET: NI/SILVER		0L1003	
				RESONATOR: SILVER		SHEET OF 1 1	