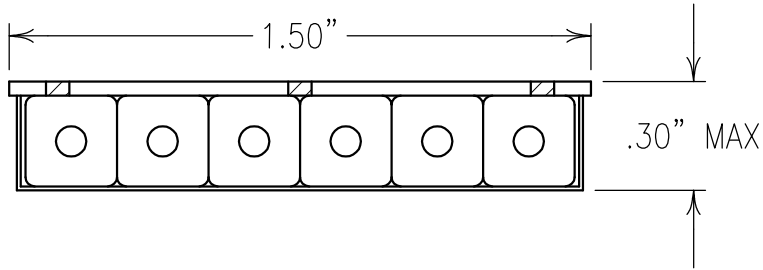


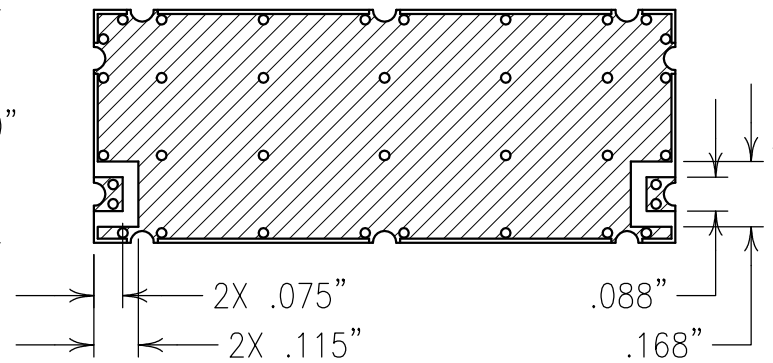
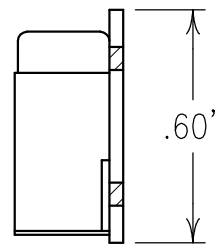
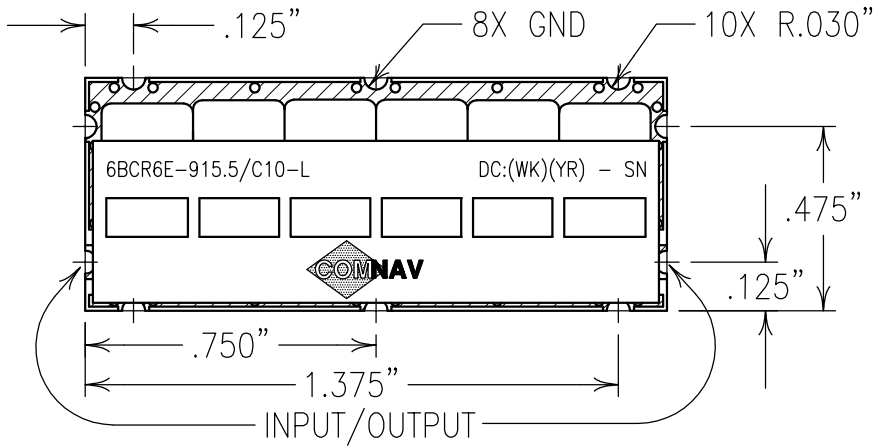
2

1



COPY

ELECTRICAL CHARACTERISTICS	
CENTER FREQUENCY:	915.5 MHz
0.75 dB PASSBAND:	912.25-918.75 MHz
INSERTION LOSS:	5.5 dB MAX @ FO
VSWR:	1.5:1 TYP
MAX INPUT POWER:	25 dBm
REJECTION:	
	60 dBc MIN @ 10 TO 30 MHz
	60 dBc MIN @ 806 MHz
	60 dBc MIN @ 849 MHz
	50 dBc MIN @ 894 MHz
	50 dBc MIN @ 896 MHz
	50 dBc MIN @ 901 MHz
	50 dBc MIN @ 902 MHz
	45 dBc MIN @ 903 MHz
	45 dBc MIN @ 928 MHz
	50 dBc MIN @ 929 MHz
	50 dBc MIN @ 930 MHz
	60 dBc MIN @ 1900 MHz
PASSBAND GROUP DELAY:	200 NSEC MAX
PASSBAND DELAY VARIATION:	25 NSEC MAX
OPERATING TEMP.:	-40° TO +85° C

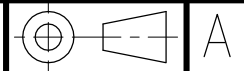


NOTES:
COMNAV PART NUMBER AND DATE CODE ARE ETCHED ON THE JACKET.

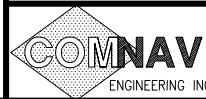
RECOMMENDED ATTACHMENT METHOD: SILVER EPOXY OR REFLOW NOT TO EXCEED AS INDICATED BELOW:

TEMP.(°C)	MAX.TIME(SEC)
215	90
230	60
245	30
260	15

Confidential and Proprietary information of ComNav Engineering Inc. Do Not Duplicate or Use Without Permission. ComNav Engineering Inc. claims Copyright in this document as of the Creation, last revision, and last updated dates. All Rights Reserved.



ENGLISH / METRIC ENGLISH	CHECKED BY					
TOLERANCES UNLESS OTHERWISE SPECIFIED MACHINED SURFACES TO BE 125 OR BETTER REMOVE ALL BURRS	DRAWN BY EEF	II	04FEB09	KJR	DEV.	INI. ISS. PER 3010
ENGLISH (INCHES) .XX ±.02 .XXX ±.01	ENGINEER KJR	REV	DATE	BY	DCN No.	REMARKS
METRIC (MM) .X ±.25 .XX ±.13	SCALE 2:1	APPLIC: CERAMIC COAXIAL FILTER				
ANGLES ± 0° 30'	DATE 04FEB09	TITLE: 6BCR6E-915.5/C10-L				



FINISH: BOARD: NI/GOLD
JACKET: NI/SILVER
RESONATOR: SILVER

DRAWING No. 0L0983
SHEET/OF 1/1