

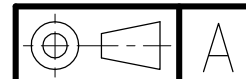
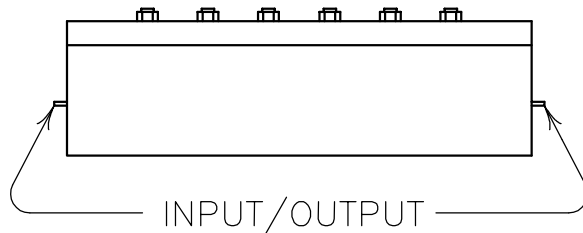
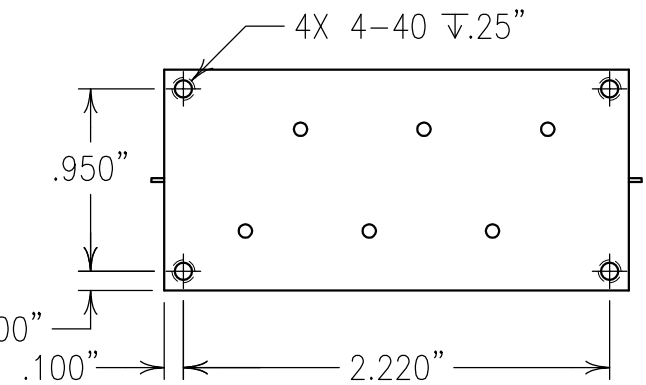
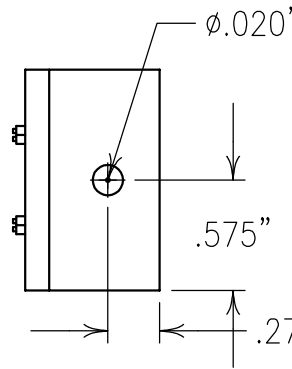
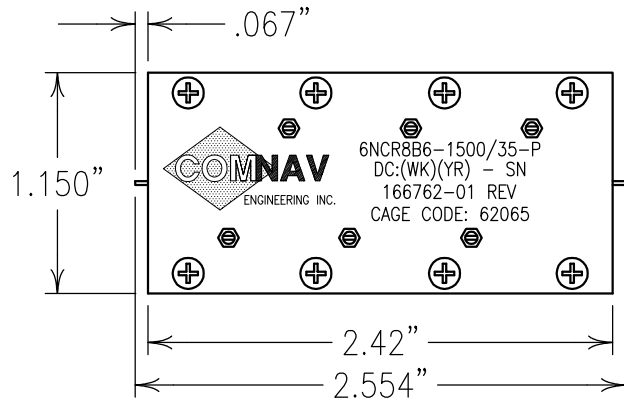
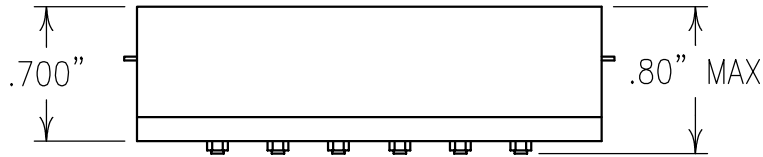
2

1

ELECTRICAL CHARACTERISTICS

CENTER FREQUENCY: 1500 MHz
 PASSBAND: 1000-1475 AND 1525-2000 MHz
 3 dB BANDWIDTH: 35 MHz MAX
 PASSBAND LOSS: 2.0 dB MAX
 VSWR: 1.5:1 TYPICAL
 REJECTION: 60 dBc MIN @ 1497.5-1502.5 MHz

COPY



Confidential and Proprietary information of ComNav Engineering Inc. Do Not Duplicate or Use Without Permission. ComNav Engineering Inc. claims Copyright in this document as of the Creation, last revision, and last updated dates. All Rights Reserved.

NOTES:

MARKING: PART MUST BE MARKED WITH ITT RSS CAGE CODE AND ITT PART NUMBER.

CAGE CODE: 62065
 PART NUMBER: 166762-01 REV

PART MAY BE LABELED OR ETCHED.
 PART IS ROHS COMPLIANT.

ENGLISH / METRIC ENGLISH		CHECKED BY					
TOLERANCES UNLESS OTHERWISE SPECIFIED		DRAWN BY					
MACHINED SURFACES TO BE 125 / OR BETTER		PBF	II	02DEC08	KJR	DEV.	INI. ISS. PER 2977
REMOVE ALL BURRS		ENGINEER	REV	DATE	BY	DCN No.	REMARKS
ENGLISH (INCHES)	METRIC (MM)	SCALE	APPLIC: CERAMIC NOTCH FILTER				
.XX ±.02	.X ±.2	1:1	DATE		TITLE:		SHEET OF
.XXX ±.01	.XX ±.13		05DEC08		6NCR8B6-1500/35-P		1 1
ANGLES ± 0° 30'		MATERIAL: ALUMINUM			DRAWING No.		
		FINISH: SILVER			010965		