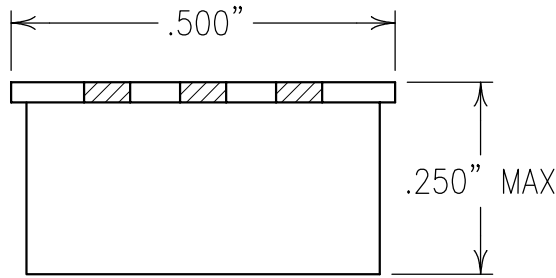


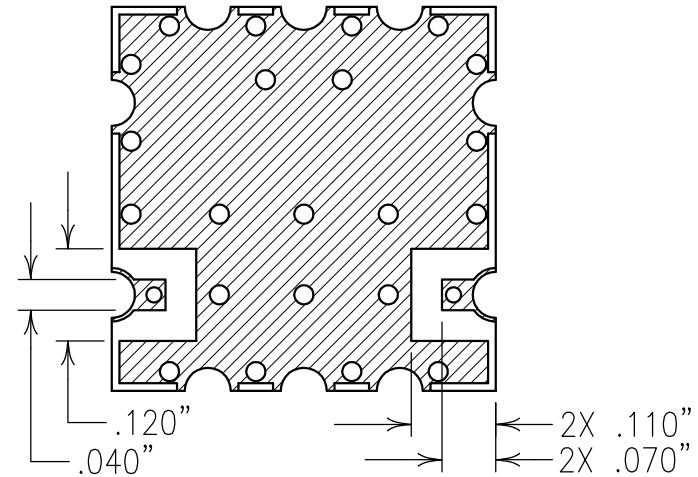
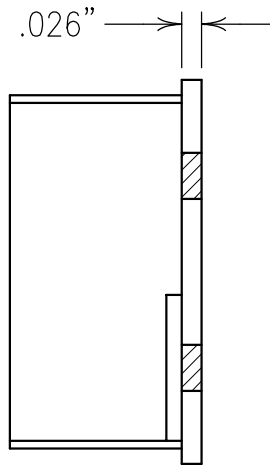
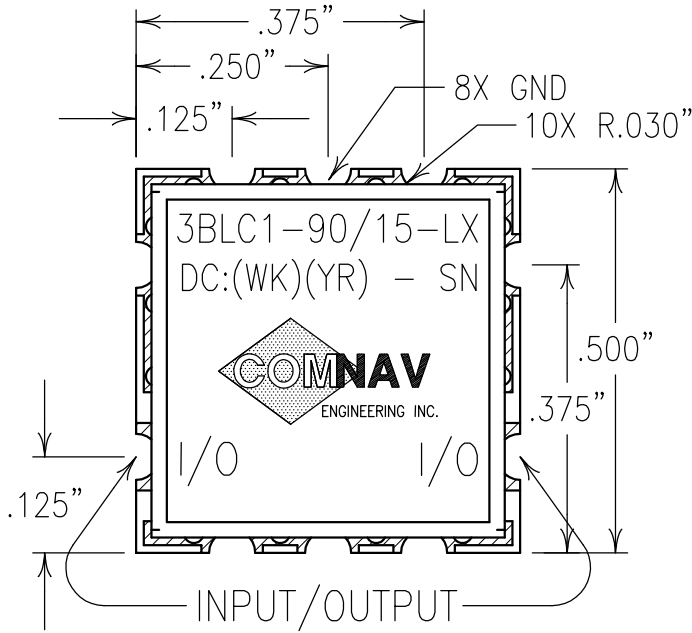
2

1



COPY

ELECTRICAL CHARACTERISTICS	
PASSBAND:	90 MHz
1 dB BANDWIDTH:	±5.0 MHz
3 dB BANDWIDTH:	16 MHz MAX
INSERTION LOSS:	3.0 dB TYP. @ FO
VSWR @ FO ±4.0 MHz:	1.5:1 MAX/1.33:GOAL
AMPLITUDE VARIATION @ FO ±4.0 MHz:	±0.25 dB MAX
ABSOLUTE GROUP DELAY:	32 nSEC MAX @ FO
GROUP DELAY VARIATION @ ±4.0 MHz:	6.0 nSEC MAX
REJECTION:	
FO ±12 MHz:	7 dBc MIN
FO ±22 MHz:	18 dBc MIN
DC TO FO-40 MHz:	33 dBc MIN
FO +80 MHz TO 400 MHz:	50 dBc MIN
OPERATING TEMPERATURE:	-40° TO +85° C



Confidential and Proprietary information of ComNav Engineering Inc. Do Not Duplicate or Use Without Permission. ComNav Engineering Inc. claims Copyright in this document as of the Creation, last revision, and last updated dates. All Rights Reserved.

NOTES:

RECOMMENDED ATTACHMENT METHOD: SILVER EPOXY OR REFLOW NOT TO EXCEED AS INDICATED BELOW:
TEMP.(°C) MAX. TIME(SEC)

215	90
230	60
245	30
260	15

FILTER MAY BE LABELED OR ETCHED.
FILTER IS ROHS COMPLIANT.

ENGLISH / METRIC	CHECKED BY	REV	DATE	BY	DCN No.	REMARKS
ENGLISH	B	10AUG09	KJR	DEV.		GEN. REV. A PER 3096
TOLERANCES UNLESS OTHERWISE SPECIFIED	A	18NOV08	EJG	DEV.		GEN. REV. A PER 2968
MACHINED SURFACES TO BE 125 OR BETTER	II	01OCT08	KJR	DEV.		INI. ISS. PER 2943
REMOVE ALL BURRS	ENGINEER					
	KJR					
ENGLISH (INCHES)	SCALE	APPLIC: CHIP AND WIRE FILTER				
METRIC (MM)	4:1	TITLE: 3BLC1-90/15-LX				
.XX ±.02	DATE	10AUG09				
.XXX ±.010	10AUG09					
ANGLES ± 0° 30'	FINISH:	BOARD: NI/GOLD JACKET: NI/SILVER				DRAWING No. 0L0952
						SHEET OF 1 1