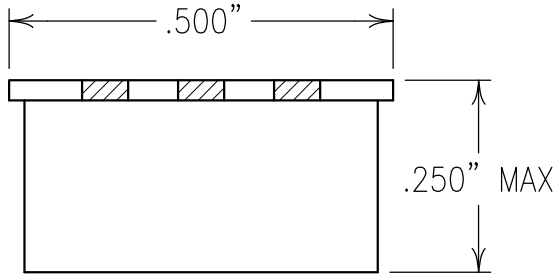


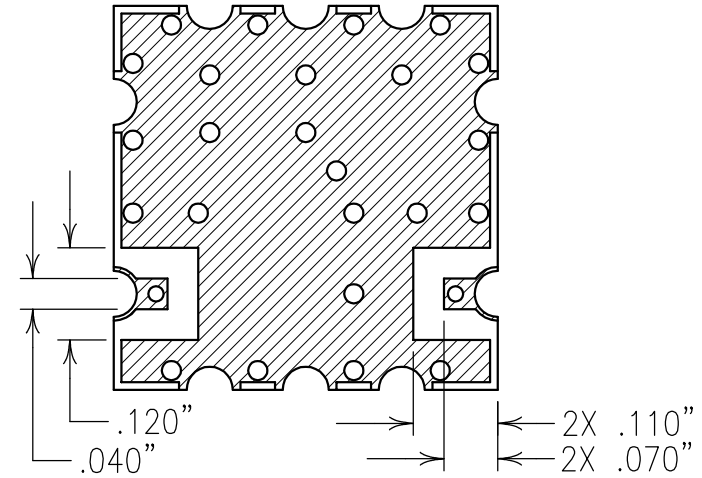
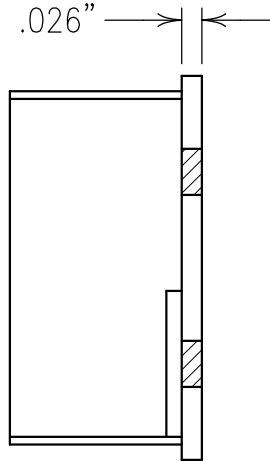
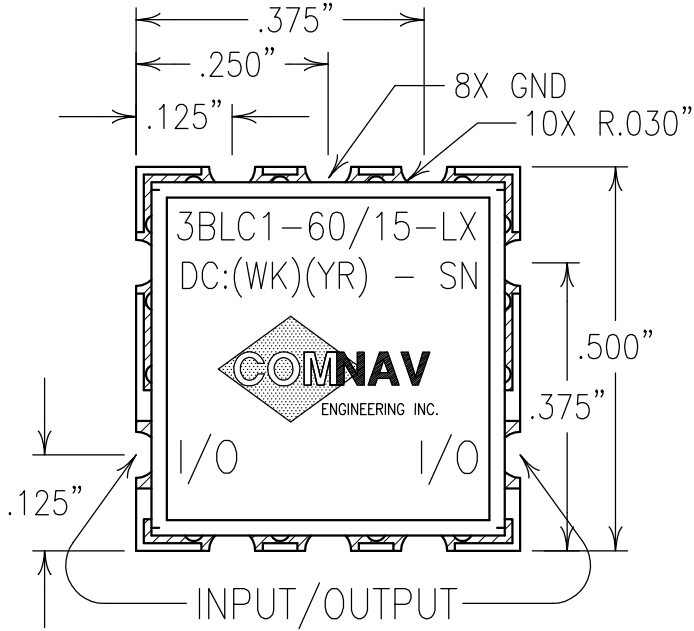
2

1



COPY

ELECTRICAL CHARACTERISTICS	
PASSBAND:	60 MHz
1 dB BANDWIDTH:	±5.0 MHz
3 dB BANDWIDTH:	16 MHz MAX
INSERTION LOSS:	1.0 dB TYP. @ FO
VSWR @ FO ±4.0 MHz:	1.5:1 MAX/1.33:GOAL
AMPLITUDE VARIATION @ FO ±4.0 MHz:	±0.25 dB MAX
ABSOLUTE GROUP DELAY:	32 nSEC MAX @ FO
GROUP DELAY VARIATION @ ±4.0 MHz:	6.0 nSEC MAX
REJECTION:	
FO ±12 MHz:	7 dBc MIN
FO ±22 MHz:	18 dBc MIN
DC TO FO-40 MHz:	33 dBc MIN
FO +80 MHz TO 400 MHz:	50 dBc MIN
OPERATING TEMPERATURE:	-40° TO +85° C



Confidential and Proprietary information of ComNav Engineering Inc. Do Not Duplicate or Use Without Permission. ComNav Engineering Inc. claims Copyright in this document as of the Creation, last revision, and last updated dates. All Rights Reserved.

NOTES:

RECOMMENDED ATTACHMENT METHOD: SILVER EPOXY OR REFLOW NOT TO EXCEED AS INDICATED BELOW:

TEMP.(°C) MAX.	TIME(SEC)
215	90
230	60
245	30
260	15

FILTER MAY BE LABELED OR ETCHED. FILTER IS ROHS COMPLIANT.

ENGLISH / METRIC	ENGLISH	CHECKED BY	B	10AUG09	KJR	DEV.	GEN. REV. A PER 3096
TOLERANCES UNLESS OTHERWISE SPECIFIED	MACHINED SURFACES TO BE 125 OR BETTER	ENGINEER	A <td>18NOV08 <td>EJG <td>DEV. <td>GEN. REV. A PER 2968</td> </td></td></td>	18NOV08 <td>EJG <td>DEV. <td>GEN. REV. A PER 2968</td> </td></td>	EJG <td>DEV. <td>GEN. REV. A PER 2968</td> </td>	DEV. <td>GEN. REV. A PER 2968</td>	GEN. REV. A PER 2968
REMOVE ALL BURRS	SCALE 4:1 <td>ENGINEER</td> <td>II <td>01OCT08 <td>KJR <td>DEV. <td>INI. ISS. PER 2943 </td></td></td></td></td>	ENGINEER	II <td>01OCT08 <td>KJR <td>DEV. <td>INI. ISS. PER 2943 </td></td></td></td>	01OCT08 <td>KJR <td>DEV. <td>INI. ISS. PER 2943 </td></td></td>	KJR <td>DEV. <td>INI. ISS. PER 2943 </td></td>	DEV. <td>INI. ISS. PER 2943 </td>	INI. ISS. PER 2943
ENGLISH (INCHES)	METRIC (MM)	SCALE	REV	DATE	BY	DCN No.	REMARKS
.XX ±.02	.X ±.25	DATE					
.XXX ±.010	.XX ±.13	10AUG09					CHIP AND WIRE FILTER
ANGLES ± 0° 30'	APPLIC:						TITLE: 3BLC1-60/15-LX
	FINISH:	BOARD: NI/GOLD					DRAWING No. 0L0951
		JACKET: NI/SILVER					SHEET OF 1 1