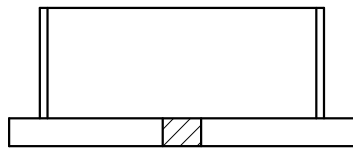
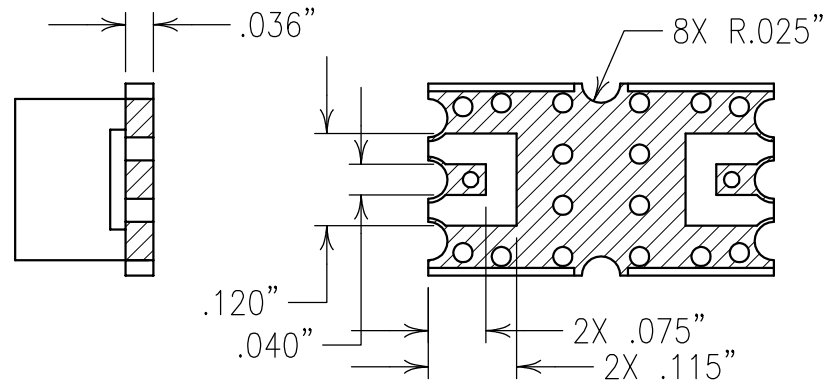
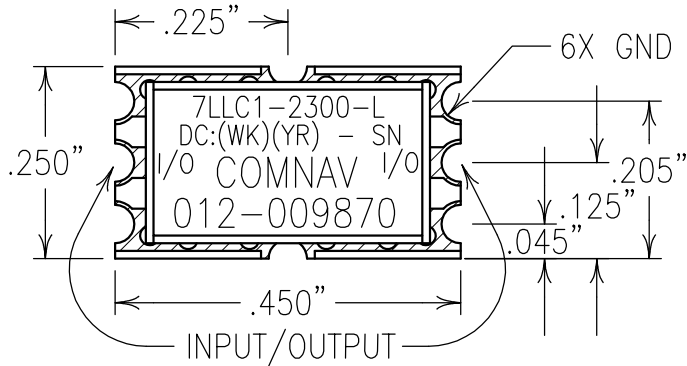
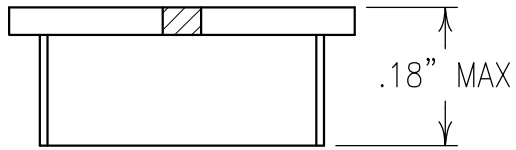


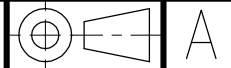
ELECTRICAL CHARACTERISTICS

CENTER FREQUENCY: 2300 MHz
 PASSBAND: 400-1825 MHz
 PASSBAND VARIATION: ±0.2 dB
 INSERTION LOSS: 0.6 dB
 REJECTION: 3000 MHz: 30 dBc
 3600-4700 MHz: 50 dBc
 6800-7600 MHz: 30 dBc
 VSWR: <1.5:1
 POWER HANDLING: +20 dBm
 OPERATIONAL TEMP.: 0° TO +60°C
 STORAGE TEMP.: -55° TO +85°C
 HUMIDITY: UP TO 95%

COPY



Confidential and Proprietary information of ComNav Engineering Inc. Do Not Duplicate or Use Without Permission. ComNav Engineering Inc. claims Copyright in this document as of the Creation, last revision, and last updated dates. All Rights Reserved.



NOTES:

RECOMMENDED ATTACHMENT METHOD: SILVER EPOXY OR REFLOW NOT TO EXCEED AS INDICATED BELOW:
 TEMP.(°C) MAX. TIME(SEC)

215	90
230	60
245	30
260	15

FILTER WILL BE LABELED.
 FILTER IS ROHS COMPLIANT.

ENGLISH / METRIC ENGLISH	CHECKED BY				
TOLERANCES UNLESS OTHERWISE SPECIFIED	DRAWN BY PBF				
MACHINED SURFACES TO BE 125 OR BETTER REMOVE ALL BURRS	ENGINEER KJR	II	18SEP08	KJR	DEV. INI. ISS. PER 2932
ENGLISH (INCHES)	METRIC (MM)	SCALE 4:1	APPLIC: CHIP AND WIRE FILTER		
.XX ±.02 .XXX ±.010	.X ±.25 .XX ±.13	DATE 30SEP08	TITLE: 7LLC1-2300-L		
ANGLES ± 0° 30'	FINISH:	BOARD: NI/GOLD JACKET: NI/SILVER RESONATOR: SILVER	DRAWING No. 010942	SHEET OF 1 1	