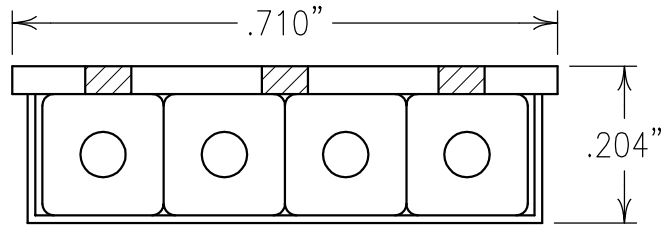


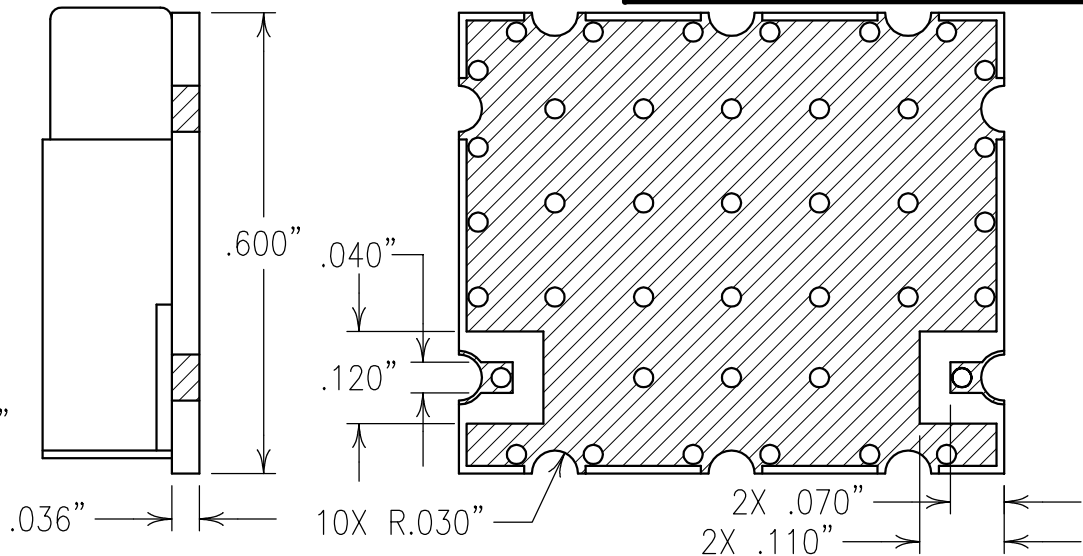
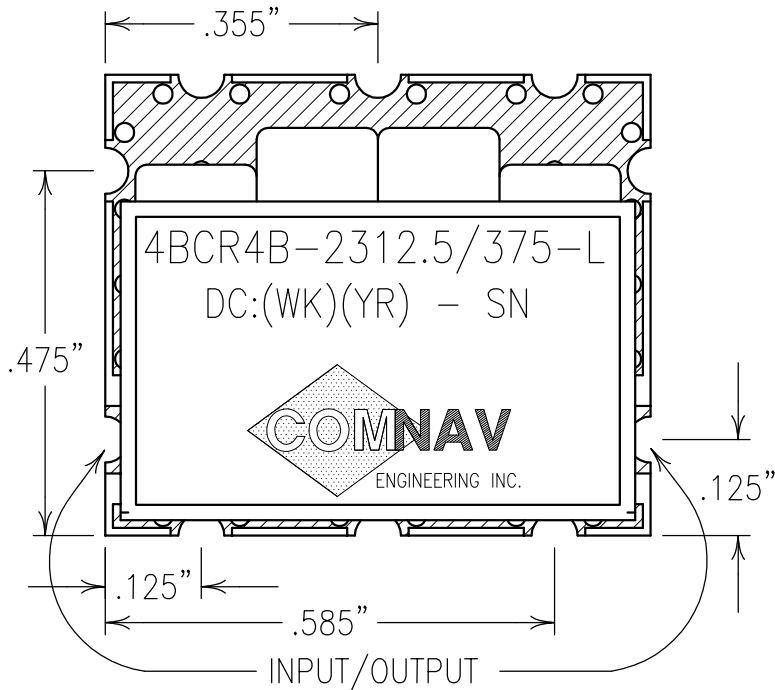
2

1

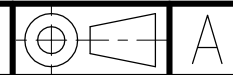


COPY

ELECTRICAL CHARACTERISTICS	
CENTER FREQUENCY:	2312.5 MHz
PASSBAND:	2125-2500 MHz
PASSBAND VARIATION:	±0.2 dB
INSERTION LOSS:	2 dB
REJECTION:	DC-1700 MHz: 40 dBc
	3800-4125 MHz: 40 dBc
	5400-5825 MHz: 50 dBc
RETURN LOSS:	10 dB
POWER HANDLING:	+30 dBm
OPERATIONAL TEMP.:	0° TO +60°C
STORAGE TEMP.:	-55° TO +85°C
HUMIDITY:	UP TO 95%



Confidential and Proprietary information of ComNav Engineering Inc. Do Not Duplicate or Use Without Permission. ComNav Engineering Inc. claims Copyright in this document as of the Creation, last revision, and last updated dates. All Rights Reserved.



NOTES:

RECOMMENDED FOOTPRINT: FP0111.

RECOMMENDED ATTACHMENT METHOD: SILVER EPOXY OR REFLOW NOT TO EXCEED AS INDICATED BELOW:

TEMP.(°C) MAX.	TIME(SEC)
215	90
230	60
245	30
260	15

FILTER WILL BE LABELED.
FILTER IS ROHS COMPLIANT.

ENGLISH / METRIC ENGLISH	CHECKED BY					
TOLERANCES UNLESS OTHERWISE SPECIFIED	DRAWN BY	A	10DEC08	KJR	DEV.	GEN. REV. PER 2982
MACHINED SURFACES TO BE 125 / OR BETTER	ENGINEER	II	18SEP08	KJR	DEV.	INI. ISS. PER 2932
REMOVE ALL BURRS	KJR	REV	DATE	BY	DCN No.	REMARKS
ENGLISH (INCHES)	METRIC (MM)	SCALE	APPLIC: CERAMIC COAXIAL FILTER			
.XX ±.02	.X ±.25	DATE	TITLE: 4BCR4B-2312.5/375-L			
.XXX ±.010	.XX ±.13	10DEC08				
ANGLES ± 0° 30'	FINISH:		BOARD: NI/GOLD		DRAWING No.	
	COMNAV ENGINEERING INC.		JACKET: NI/SILVER		010940	
			RESONATOR: SILVER		SHEET OF 1 1	