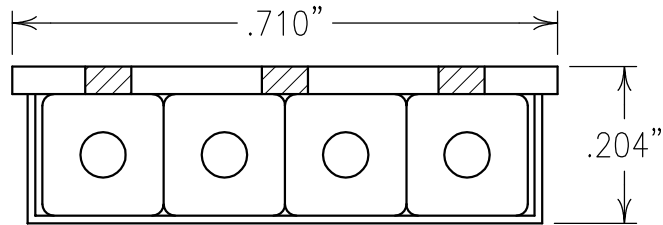


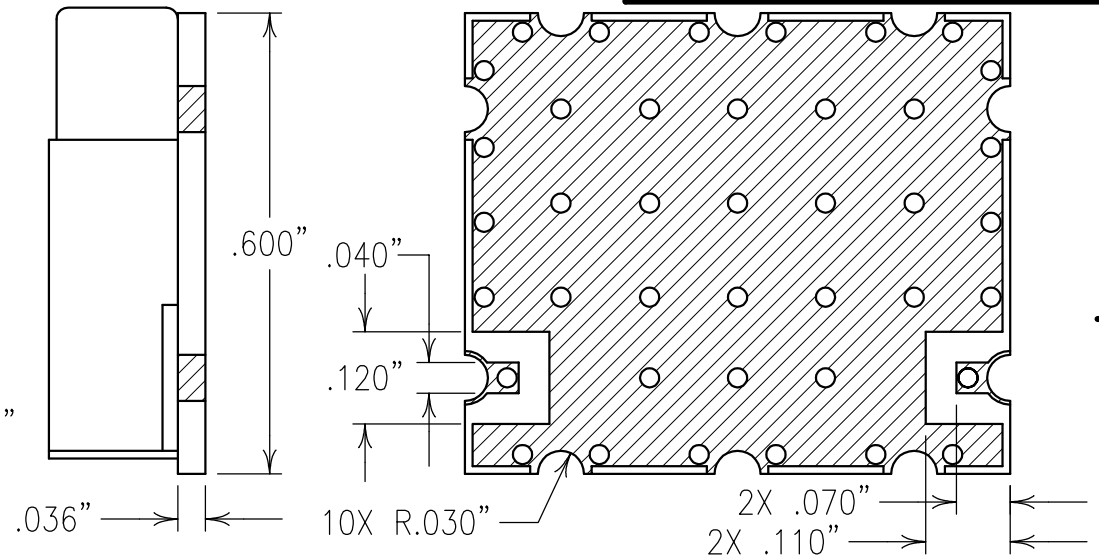
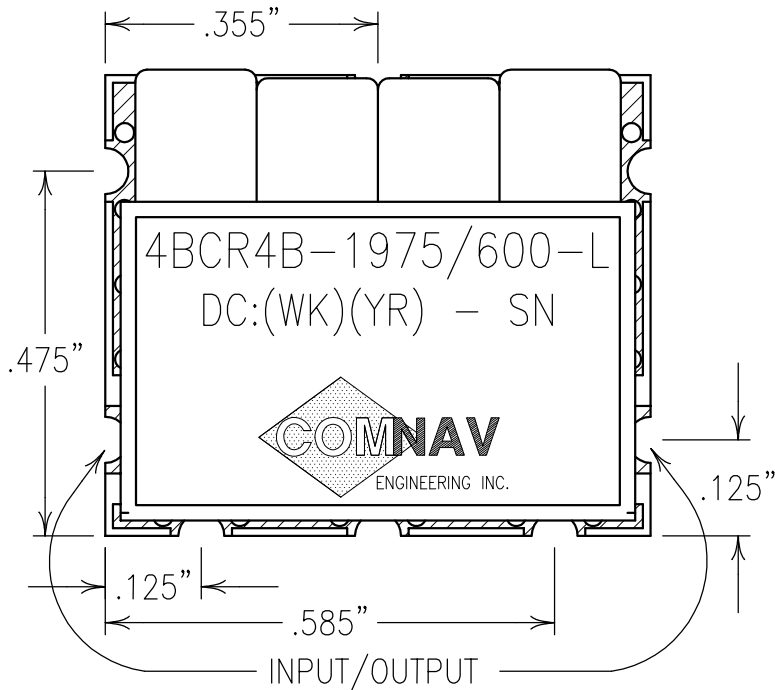
2

1

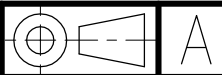


**COPY**

ELECTRICAL CHARACTERISTICS	
CENTER FREQUENCY:	1975 MHz
PASSBAND:	1825-2125 MHz
PASSBAND VARIATION:	±0.2 dB
INSERTION LOSS:	2 dB MAX
REJECTION:	DC-1400 MHz: 30 dBc
	3200-3500 MHz: 50 dBc
	4600-4900 MHz: 40 dBc
VSWR:	<1.7:1
POWER HANDLING:	+30 dBm
OPERATIONAL TEMP.:	0° TO +60°C
STORAGE TEMP.:	-55° TO +85°C
HUMIDITY:	UP TO 95%



Confidential and Proprietary information of ComNav Engineering Inc. Do Not Duplicate or Use Without Permission. ComNav Engineering Inc. claims Copyright in this document as of the Creation, last revision, and last updated dates. All Rights Reserved.



NOTES:

RECOMMENDED FOOTPRINT: FP0111.

RECOMMENDED ATTACHMENT METHOD: SILVER EPOXY OR REFLOW NOT TO EXCEED AS INDICATED BELOW:

TEMP.(°C) MAX.	TIME(SEC)
215	90
230	60
245	30
260	15

FILTER WILL BE LABELED.  
FILTER IS ROHS COMPLIANT.

ENGLISH / METRIC ENGLISH	CHECKED BY				
TOLERANCES UNLESS OTHERWISE SPECIFIED	DRAWN BY				
MACHINED SURFACES TO BE 125 / OR BETTER	PBF				
REMOVE ALL BURRS	ENGINEER	II	18SEP08	KJR	DEV. INI. ISS. PER 2932
	KJR	REV	DATE	BY	DCN No. REMARKS
ENGLISH (INCHES)	METRIC (MM)	SCALE	APPLIC: CERAMIC COAXIAL FILTER		
.XX ±.02	.X ±.25	4:1	TITLE: 4BCR4B-1975/600-L		
.XXX ±.010	.XX ±.13	DATE	29SEP08		
ANGLES ± 0° 30'		FINISH:	BOARD: NI/GOLD JACKET: NI/SILVER RESONATOR: SILVER		DRAWING No. 010939
					SHEET OF 1 1