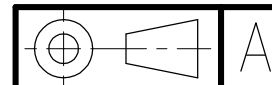
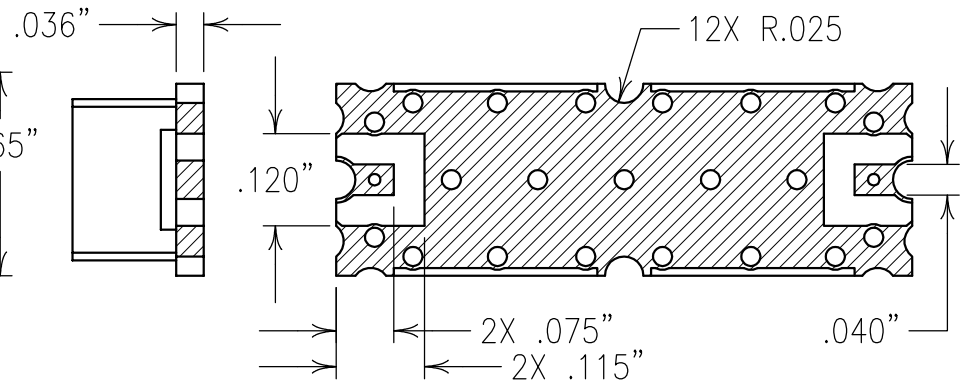
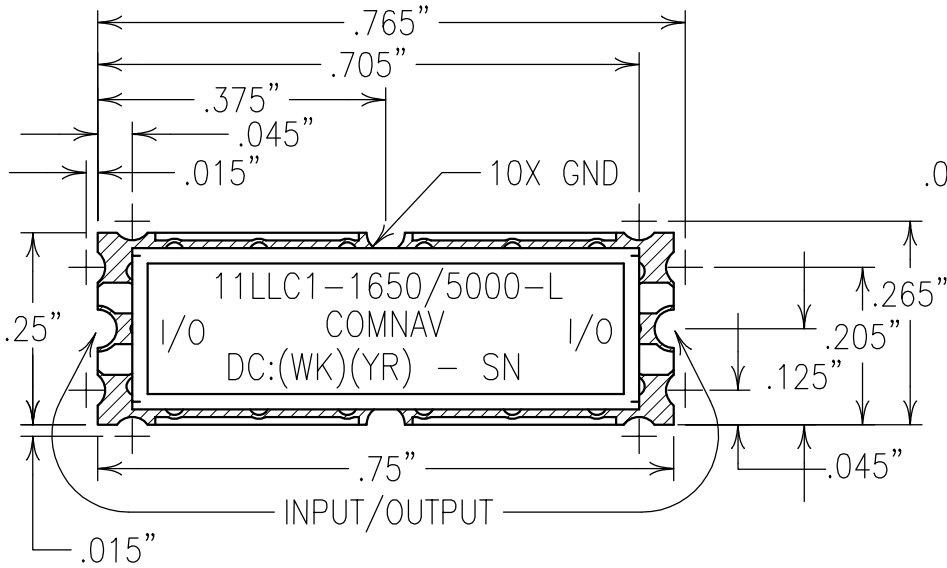
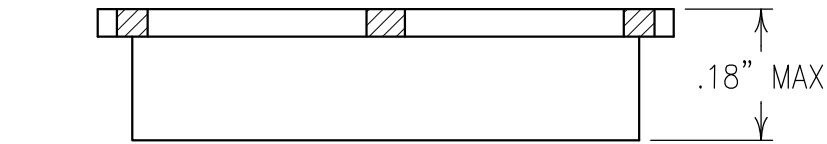


ELECTRICAL CHARACTERISTICS

| | |
|--------------------|---------------|
| 3 dB CUTOFF: | 1650 MHz NOM |
| PASSBAND: | 1030-1570 MHz |
| REJECTION: | |
| 60 dBc: | 1820-2320 MHz |
| PASSBAND VSWR: | 1.7:1 |
| PASSBAND LOSS: | 1.2 dB MAX |
| PASSBAND FLATNESS: | <0.75 dB |

COPY



Confidential and Proprietary information of ComNav Engineering Inc. Do Not Duplicate or Use Without Permission. ComNav Engineering Inc. claims Copyright in this document as of the Creation, last revision, and last updated dates. All Rights Reserved.

| | | |
|---|-----------|---------------------|
| NOTES: RECOMMENDED ATTACHMENT METHOD: SILVER EPOXY OR REFLOW NOT TO EXCEED: | TEMP.(°C) | MAX. TIME (SECONDS) |
| | 215 | 90 |
| | 230 | 60 |
| | 245 | 30 |
| FILTER IS ROHS COMPLIANT. | 245 | 30 |
| FILTER MAY BE LABELED OR ETCHED. | 260 | 15 |

| | | | | | |
|--|--|---------------------------|------------------------------|-------------------|-------------------------|
| ENGLISH / METRIC ENGLISH | CHECKED BY | | | | |
| TOLERANCES UNLESS OTHERWISE SPECIFIED MACHINED SURFACES TO BE 125 / OR BETTER REMOVE ALL BURRS | DRAWN BY PBF | II | 24JUL08 | KJR | DEV. INI. ISS. PER 2906 |
| | ENGINEER KJR | REV | DATE | BY | DCN No. REMARKS |
| ENGLISH (INCHES) .XX ±.02 .XXX ±.01 | METRIC (MM) .X ±.25 .XX ±.13 | SCALE 4:1 | APPLIC: CHIP AND WIRE FILTER | | |
| ANGLES ± 0° 30' | DATE 14AUG08 | TITLE: 11LLC1-1650/5000-L | | | |
| | FINISH: BOARD: NI/AU JACKET: NI/SILVER RESONATOR: SILVER | DRAWING No. 0L0925 | | SHEET/OF 1 / 1 | |