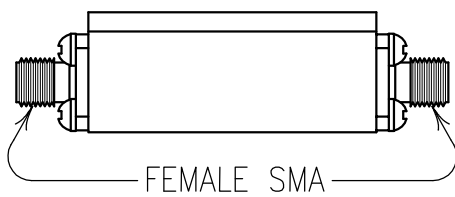
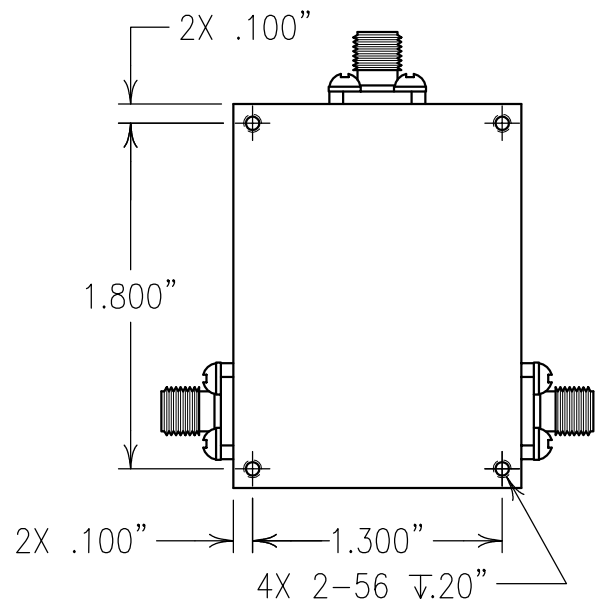
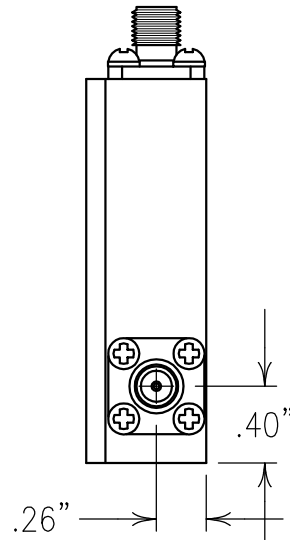
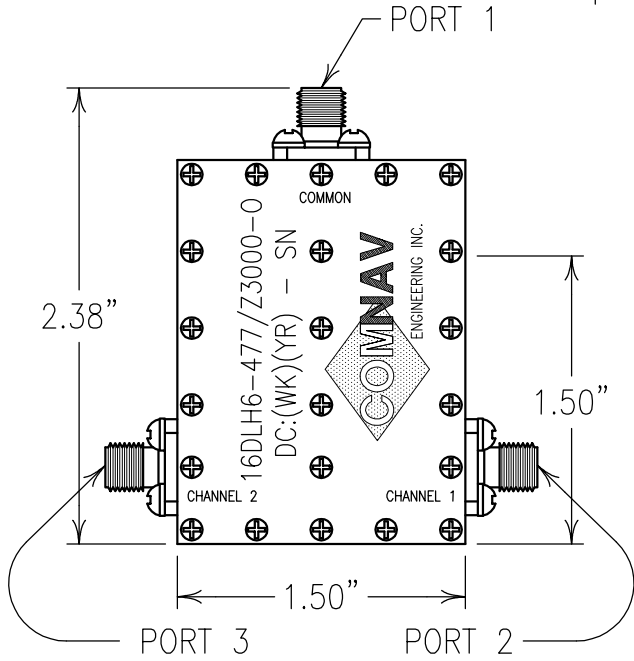


COPY

ELECTRICAL CHARACTERISTICS	
CHANNEL 1 PASSBAND:	DC-473 MHz
CHANNEL 1 REJECTION:	
534-3,000 MHz:	50 dBc
CHANNEL 2 PASSBAND:	481-3,000 MHz
CHANNEL 2 REJECTION:	
DC-419 MHz:	50 dBc
CROSSOVER REJECTION (BOTH):	
477±1 MHz:	5 dBc
PASSBAND LOSS (BOTH):	2.5 dB MAX



NOTES:
 FILTER MAY BE LABELED OR ETCHED.
 FILTER IS ROHS COMPLIANT.

ENGLISH / METRIC	CHECKED BY	REV	DATE	BY	DCN No.	REMARKS
ENGLISH	B	14SEP09	MJG	DEV.		GEN. REV. PER 3113
TOLERANCES UNLESS OTHERWISE SPECIFIED	A	23JUL09	MJG	DEV.		GEN. REV. PER 3093
MACHINED SURFACES TO BE 125 / OR BETTER	II	03JUL08	KJR	DEV.		INI. ISS. PER 2897
REMOVE ALL BURRS						

ENGLISH (INCHES)	METRIC (MM)	SCALE	APPLIC:	DATE	TITLE:	SHEET OF
.XX ±.01	.X ±.2	1:1	CHIP AND WIRE FILTER	17SEP09	16DLH6-477/Z3000-0	1 1
.XXX ±.005	.XX ±.13					
ANGLES ± 0° 30'						

Confidential and Proprietary information of ComNav Engineering Inc. Do Not Duplicate or Use Without Permission. ComNav Engineering Inc. claims Copyright in this document as of the Creation, last revision, and last updated dates. All Rights Reserved.



MATERIAL: ALUMINUM
 FINISH: SILVER

DRAWING No.
 0L0910