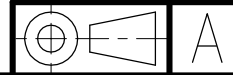
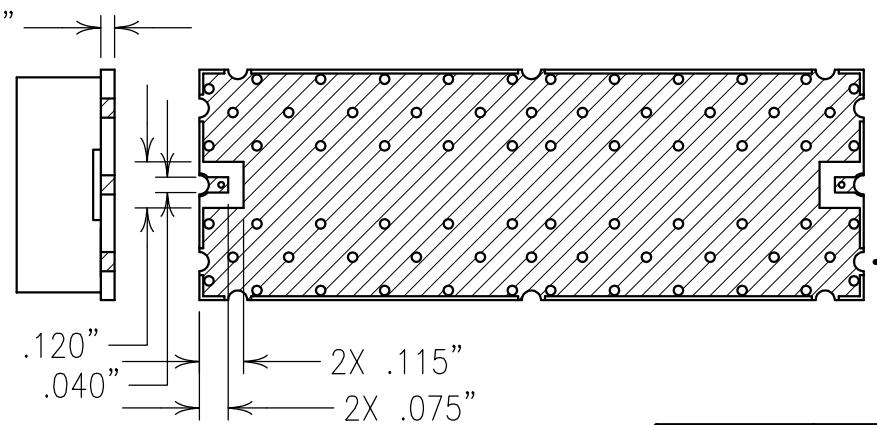
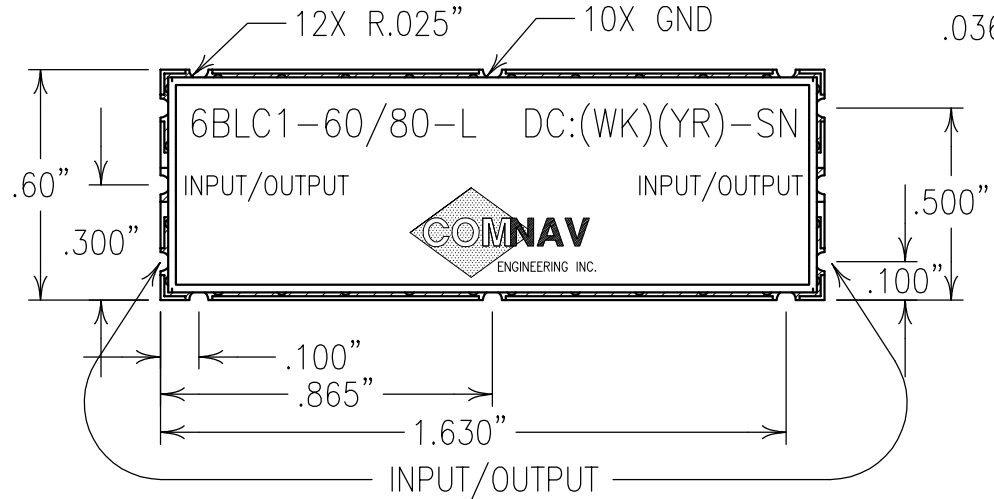
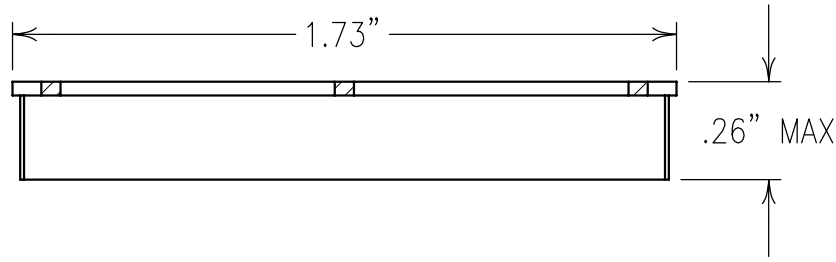


ELECTRICAL CHARACTERISTICS	
CENTER FREQUENCY:	60 MHz
PASSBAND:	20-100 MHz
PASSBAND LOSS:	2.0 dB MAX
REJECTION:	
55 dBc @ 125 MHz	
30 dBc @ 10 MHz	
OPERATING TEMP.:	-40 TO +75°C
PASSBAND VSWR:	1.5:1 MAX
I/O IMPEDANCE:	50 OHMS
POWER HANDLING:	1 WATT

COPY



Confidential and Proprietary information of ComNav Engineering Inc. Do Not Duplicate or Use Without Permission. ComNav Engineering Inc. claims Copyright in this document as of the Creation, last revision, and last updated dates. All Rights Reserved.

NOTES:

RECOMMENDED ATTACHMENT METHOD: SILVER EPOXY OR REFLOW NOT TO EXCEED AS INDICATED BELOW:

TEMP.(°C)	MAX. TIME(SEC)	
215	90	FILTER MAY BE LABELED OR ETCHED.
230	60	FILTER IS ROHS COMPLIANT.
245	30	
260	15	

ENGLISH / METRIC		CHECKED BY					
ENGLISH		DRAWN BY					
TOLERANCES UNLESS OTHERWISE SPECIFIED TO BE 125 / OR BETTER		PBF					
MACHINED SURFACES TO BE 125 / OR BETTER		ENGINEER		II	18JUN08	KJR	DEV.
REMOVE ALL BURRS		KJR		REV	DATE	BY	DCN No.
ENGLISH (INCHES)	METRIC (MM)	SCALE		APPLIC: CERAMIC COAXIAL FILTER			
.XX ±.02	.X ±.25	2:1		TITLE: 6BLC1-60/80-L			
.XXX ±.010	.XX ±.13	DATE					
ANGLES ± 0° 30'		09JUL08					
COMNAV ENGINEERING INC.		FINISH: BOARD: NI/GOLD JACKET: NI/SILVER RESONATOR: SILVER				DRAWING No. 0L0900	
						SHEET OF 1 1	