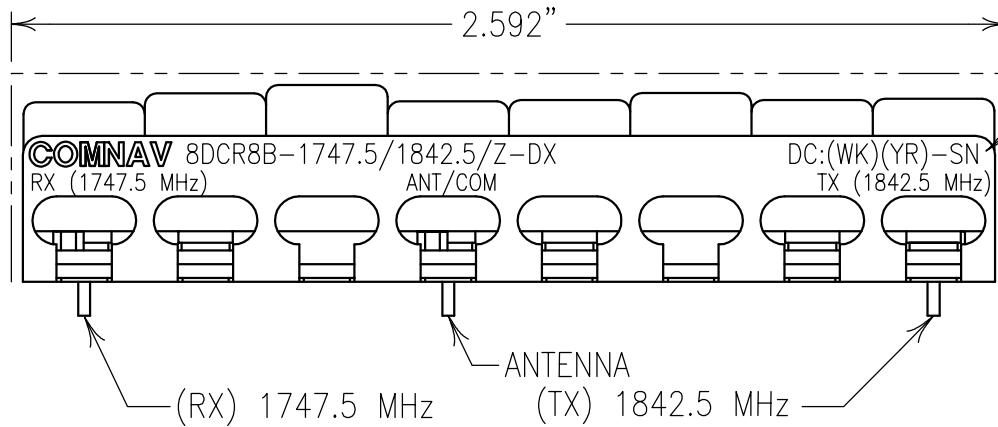
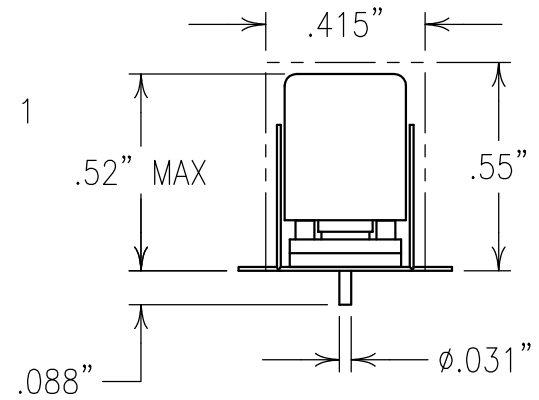


2

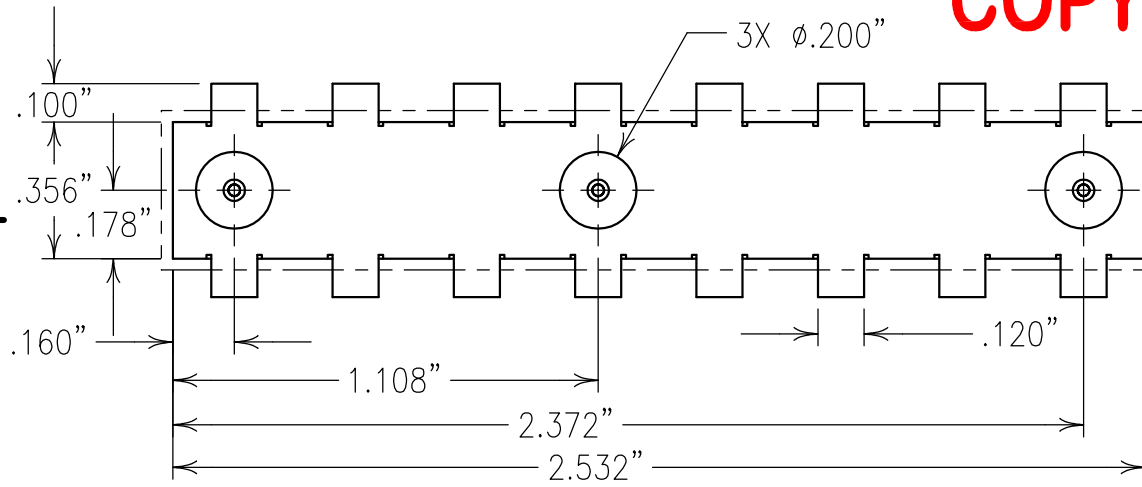
1



NOTE 1



COPY



----- 0.030" CLEARANCE ZONE

ELECTRICAL CHARACTERISTICS

	RX	TX
CENTER FREQUENCY:	1747.5 MHz	1842.5 MHz
PASSBAND:	1710-1785 MHz	1805-1880 MHz
REJECTION:		
25 dB MIN:	1805-1880 MHz	1710-1785 MHz
30 dB MIN.:		
INSERTION LOSS:	<2.5 dB	<2.3 dB MAX, 2.0 dB GOAL
TX INSERTION LOSS AND TX REJECTION APPLY TO THE TX TO ANTENNA PATH.		
RX INSERTION LOSS AND RX REJECTION APPLY TO THE RX TO ANTENNA PATH.		
POWER HANDLING: THE TX TO ANTENNA MUST WITHSTAND 25 WATTS CW OVER THE TEMPERATURE RANGE OF -20 TO +85°C. THE ANTENNA TO RX PATH MUST WITHSTAND 0 dBm.		
IMPEDANCE: 50 OHMS AT ALL THREE PORTS.		

Confidential and Proprietary information of ComNav Engineering Inc. Do Not Duplicate or Use Without Permission. ComNav Engineering Inc. claims Copyright in this document as of the Creation, last revision, and last updated dates. All Rights Reserved.

NOTES:
1) DC: IS ON ONE SIDE ONLY.

FILTER IS ROHS COMPLIANT

ENGLISH / METRIC ENGLISH		CHECKED BY							
TOLERANCES UNLESS OTHERWISE SPECIFIED		DRAWN BY	A	30JAN09	KJR	DEV.	GEN. REV. PER 3003		
MACHINED SURFACES TO BE 125 / OR BETTER REMOVE ALL BURRS		ENGINEER	II	16MAY08	KJR	DEV.	INI. ISS. PER 2884		
		REV		DATE	BY	DCN No.	REMARKS		
ENGLISH (INCHES)	METRIC (MM)	SCALE	APPLIC: CERAMIC COAXIAL FILTER						
.XX ±.02	.X ±.5	DATE	TITLE: 8DCR8B-1747.5/1842.5/Z-DX						
.XXX ±.010	.XX ±.25	05AUG09							
ANGLES ± 0° 30'		FINISH:	PINS: TIN PLATED BRASS				DRAWING No.		SHEET OF
			JACKET: NI/SILVER				0L0883		1 1
			RESONATOR: SILVER						

