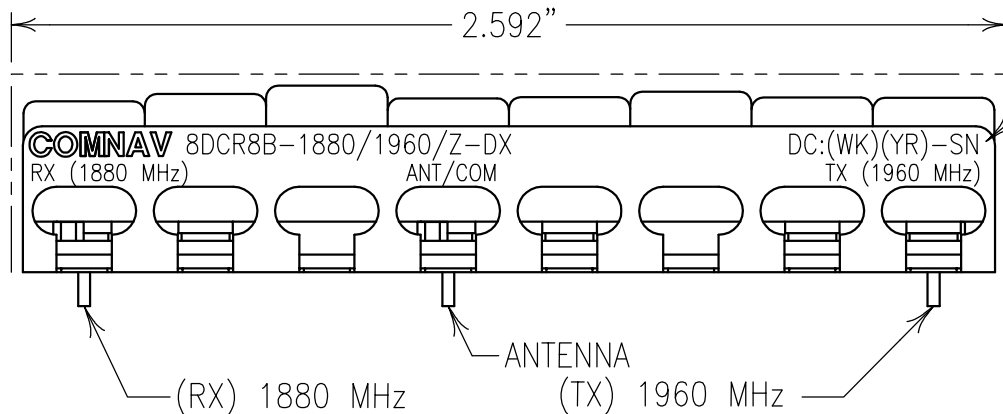
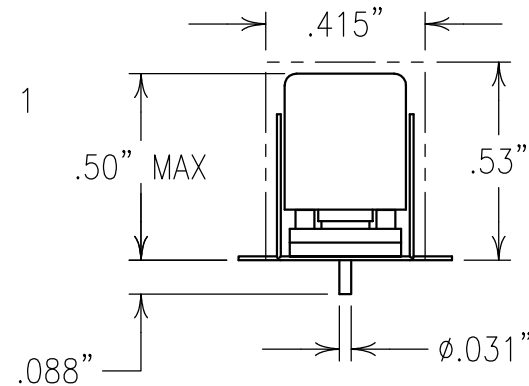


2

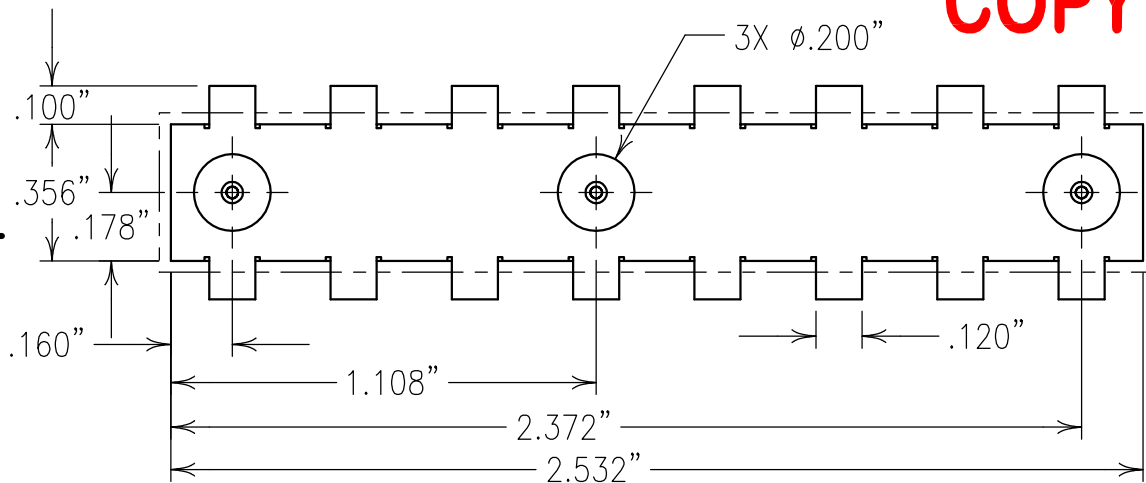
1



NOTE 1



COPY



ELECTRICAL CHARACTERISTICS

| | RX | TX |
|-------------------|---------------|-----------------------------|
| CENTER FREQUENCY: | 1880 MHz | 1960 MHz |
| PASSBAND: | 1850-1910 MHz | 1930-1990 MHz |
| REJECTION: | | 1850-1910 MHz |
| 25 dB MIN: | 1930-1990 MHz | |
| 30 dB MIN.: | | 1850-1910 MHz |
| INSERTION LOSS: | <2.5 dB | <2.1 dB MAX, 2.0 dB GOAL |

TX INSERTION LOSS AND TX REJECTION APPLY TO THE TX TO ANTENNA PATH.
 RX INSERTION LOSS AND RX REJECTION APPLY TO THE RX TO ANTENNA PATH.
 POWER HANDLING: THE TX TO ANTENNA MUST WITHSTAND 25 WATTS CW OVER THE TEMPERATURE RANGE OF -20 TO +85°C. THE ANTENNA TO RX PATH MUST WITHSTAND 0 dBm.
 IMPEDANCE: 50 OHMS AT ALL THREE PORTS.

Confidential and Proprietary information of ComNav Engineering Inc. Do Not Duplicate or Use Without Permission. ComNav Engineering Inc. claims Copyright in this document as of the Creation, last revision, and last updated dates. All Rights Reserved.

NOTES:
1) DC: IS ON ONE SIDE ONLY.

FILTER IS ROHS COMPLIANT

| | | | | | | | |
|--|-------------|------------------------|--------------------------------|---------|--------------|---------|--------------------|
| ENGLISH / METRIC ENGLISH | | CHECKED BY | | | | | |
| TOLERANCES UNLESS OTHERWISE SPECIFIED | | DRAWN BY | A | 30JAN09 | KJR | DEV. | GEN. REV. PER 3003 |
| MACHINED SURFACES TO BE 125 OR BETTER REMOVE ALL BURRS | | ENGINEER | II | 16MAY08 | KJR | DEV. | INI. ISS. PER 2884 |
| | | REV | DATE | BY | DCN No. | REMARKS | |
| ENGLISH (INCHES) | METRIC (MM) | SCALE | APPLIC: CERAMIC COAXIAL FILTER | | | | |
| .XX ±.02 | .X ±.5 | 2:1 | | | | | |
| .XXX ±.010 | .XX ±.25 | DATE | TITLE: 8DCR8B-1880/1960/Z-DX | | | | |
| ANGLES ± 0° 30' | | 05AUG09 | | | | | |
| FINISH: | | PINS: TIN PLATED BRASS | | | DRAWING No. | | |
| | | JACKET: NI/SILVER | | | 0L0882 | | |
| | | RESONATOR: SILVER | | | SHEET OF 1 1 | | |

