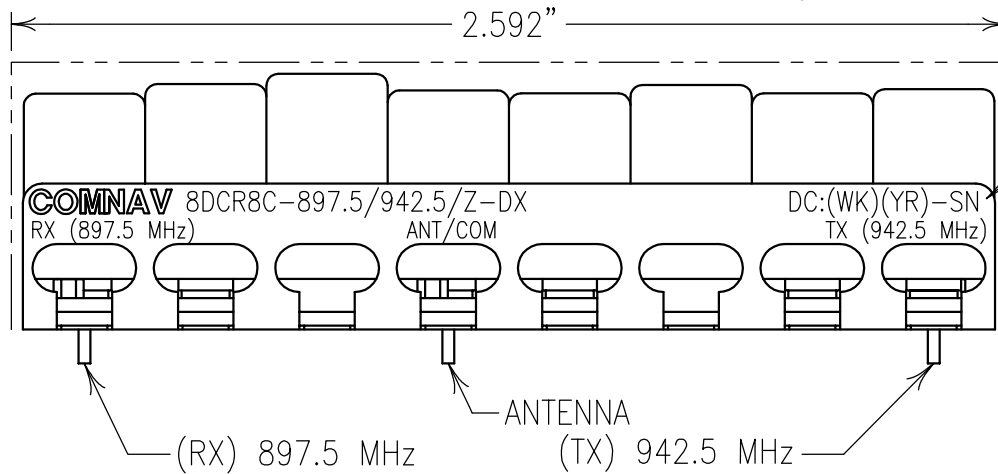
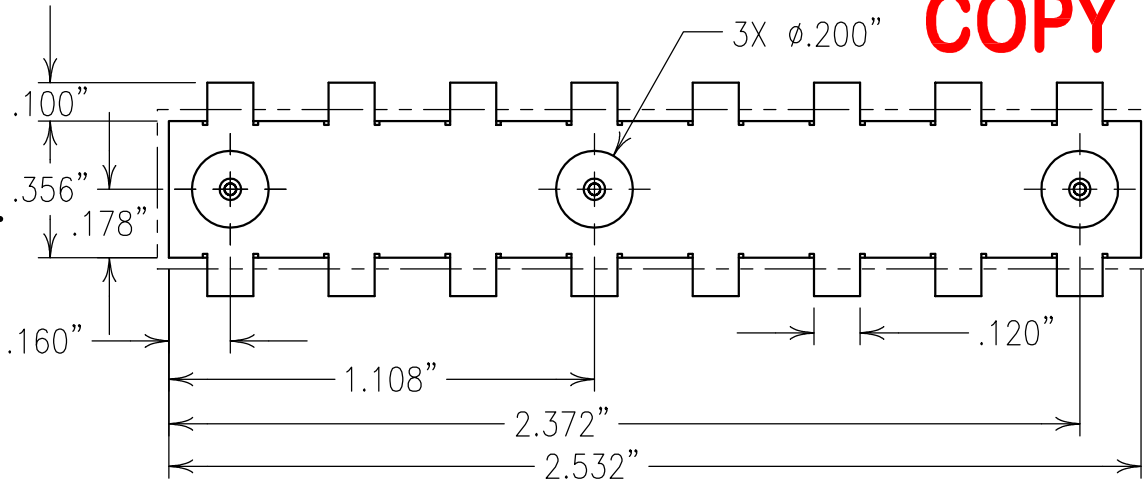
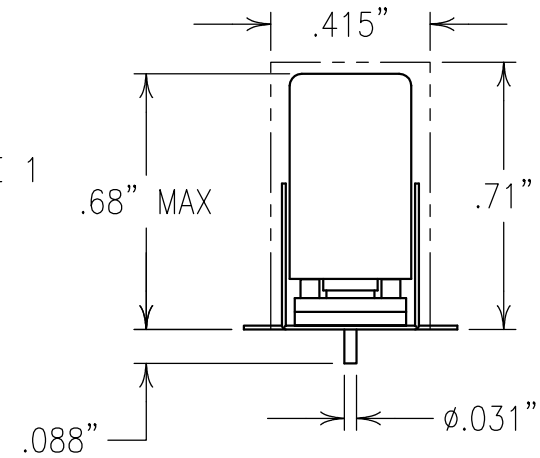


2

1



NOTE 1



COPY

----- 0.030" CLEARANCE ZONE

ELECTRICAL CHARACTERISTICS

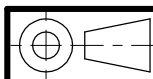
	RX	TX
CENTER FREQUENCY:	897.5 MHz	942.5 MHz
PASSBAND:	880-915 MHz	925-960 MHz
REJECTION:		
25 dB MIN:	925-960 MHz	
30 dB MIN.:		880-915 MHz
INSERTION LOSS:	<2.1 dB	<1.7 dB
TX INSERTION LOSS AND TX REJECTION APPLY TO THE TX TO ANTENNA PATH.		
RX INSERTION LOSS AND RX REJECTION APPLY TO THE RX TO ANTENNA PATH.		
POWER HANDLING: THE TX TO ANTENNA MUST WITHSTAND 25 WATTS CW OVER THE TEMPERATURE RANGE OF -20 TO +85°C. THE ANTENNA TO RX PATH MUST WITHSTAND 0 dBm.		
IMPEDANCE: 50 OHMS AT ALL THREE PORTS.		

Confidential and Proprietary information of ComNav Engineering Inc. Do Not Duplicate or Use Without Permission. ComNav Engineering Inc. claims Copyright in this document as of the Creation, last revision, and last updated dates. All Rights Reserved.

NOTES:
1) DC: IS ON ONE SIDE ONLY.

FILTER IS ROHS COMPLIANT

ENGLISH / METRIC ENGLISH		CHECKED BY	B	11AUG09	KJR	DEV.	GEN. REV. PER 3097
TOLERANCES UNLESS OTHERWISE SPECIFIED		DRAWN BY	A	31OCT08	KJR	DEV.	GEN. REV. PER 2958
MACHINED SURFACES TO BE 125 / OR BETTER REMOVE ALL BURRS		ENGINEER	II	16MAY08	KJR	DEV.	INI. ISS. PER 2884
		REV	DATE	BY	DCN No.	REMARKS	
ENGLISH (INCHES)	METRIC (MM)	SCALE	APPLIC: CERAMIC COAXIAL FILTER				
.XX ±.02	.X ±.5	DATE	TITLE: 8DCR8C-897.5/942.5/Z-DX				
.XXX ±.010	.XX ±.25	11AUG09					
ANGLES ± 0° 30'		FINISH:	PINS: TIN PLATED BRASS		DRAWING No.		SHEET OF 1 1
		JACKET: NI/SILVER		0L0881			
		RESONATOR: SILVER					



A



B

A