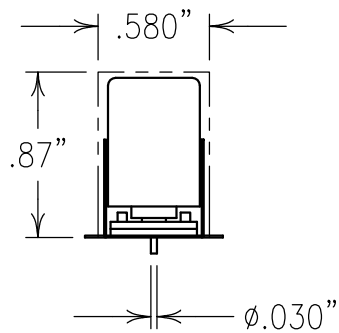
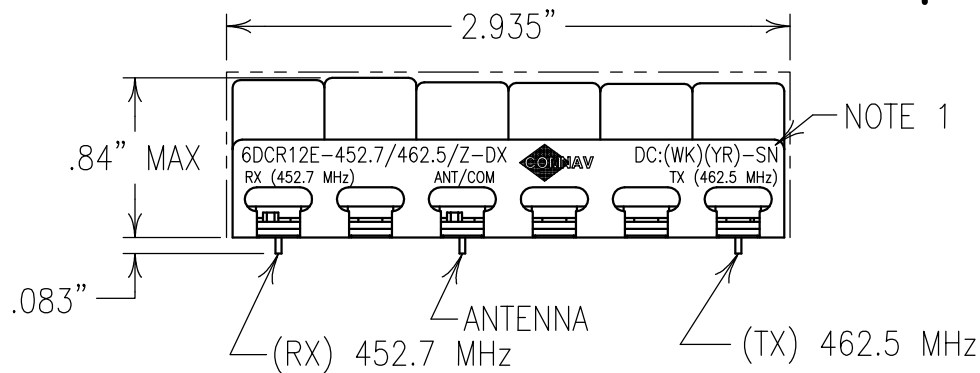


2

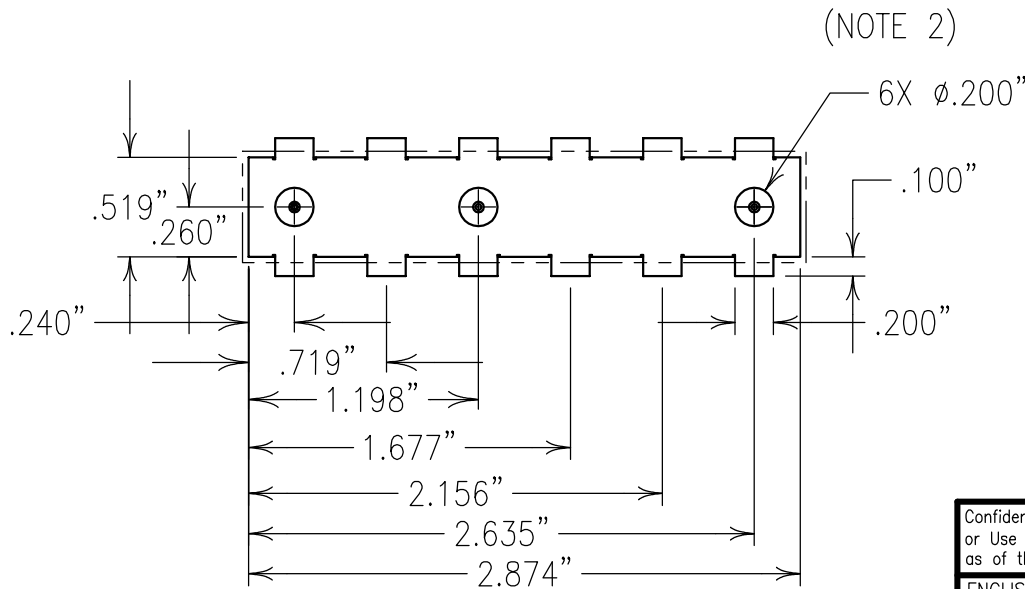
1



COPY

ELECTRICAL CHARACTERISTICS

	RX	TX
CENTER FREQUENCY:	452.7 MHz	462.5 MHz
PASSBAND:	450.4-455 MHz	460.4-465 MHz
REJECTION:		
25 dB MIN:	460.4-465 MHz	
30 dB MIN.:		450.4-455 MHz
INSERTION LOSS:	<2.0 dB	<1.6 dB
TX INSERTION LOSS AND TX REJECTION APPLY TO THE TX TO ANTENNA PATH.		
RX INSERTION LOSS AND RX REJECTION APPLY TO THE RX TO ANTENNA PATH.		
POWER HANDLING: THE TX TO ANTENNA MUST WITHSTAND 25 WATTS CW OVER THE TEMPERATURE RANGE OF -20 TO +85°C. THE ANTENNA TO RX PATH MUST WITHSTAND 0 dBm.		
IMPEDANCE: 50 OHMS AT ALL THREE PORTS.		




NOTES:
 1) DC: IS ON ONE SIDE ONLY.

FILTER IS ROHS COMPLIANT

Confidential and Proprietary information of ComNav Engineering Inc. Do Not Duplicate or Use Without Permission. ComNav Engineering Inc. claims Copyright in this document as of the Creation, last revision, and last updated dates. All Rights Reserved.

ENGLISH / METRIC ENGLISH	CHECKED BY	C	11AUG09	KJR	DEV.	GEN. REV. PER 3097
TOLERANCES UNLESS OTHERWISE SPECIFIED TO BE 125 OR BETTER REMOVE ALL BURRS	DRAWN BY	B	31OCT08	KJR	DEV.	GEN. REV. PER 2958
	ENGINEER	A	06AUG08	KJR	DEV.	GEN. REV. PER 2915
	ENGINEER	KJR	REV	DATE	BY	DCN No.
						REMARKS

ENGLISH (INCHES)	METRIC (MM)	SCALE	APPLIC:
.XX ±.02 .XXX ±.010	.X ±.5 .XX ±.25	1:1	CERAMIC COAXIAL FILTER
ANGLES ± 0° 30'		DATE	TITLE:
		11AUG09	6DCR12E-452.7/462.5/Z-DX


 FINISH: PINS: TIN PLATED BRASS
 JACKET: NI/SILVER
 RESONATOR: SILVER

DRAWING No. 0L0877
 SHEET OF 1 1