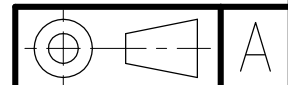
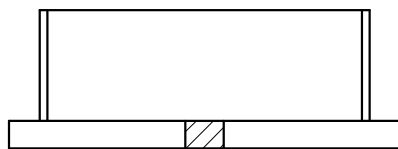
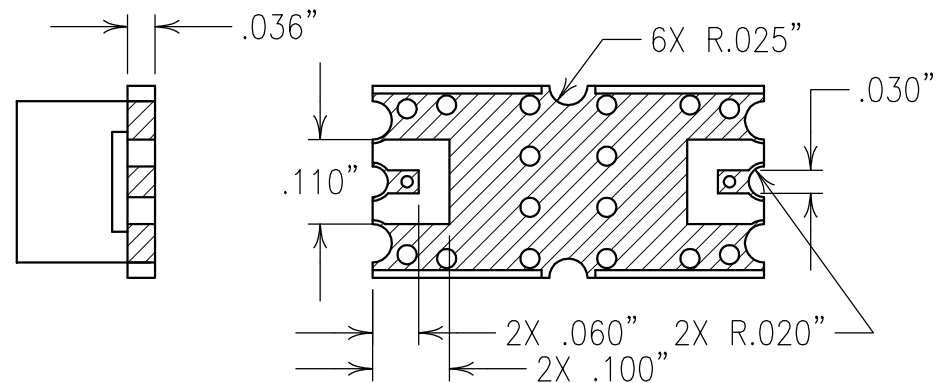
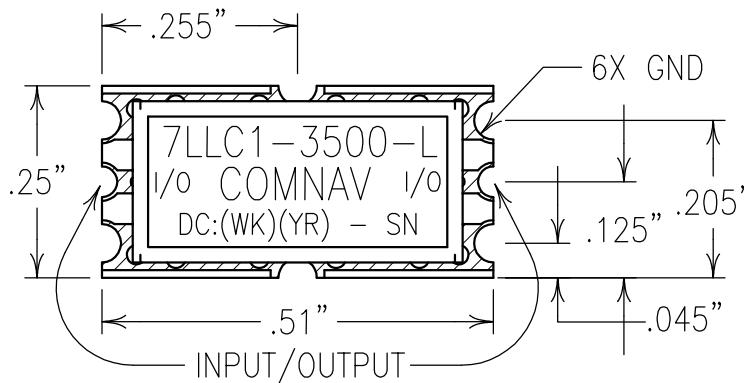
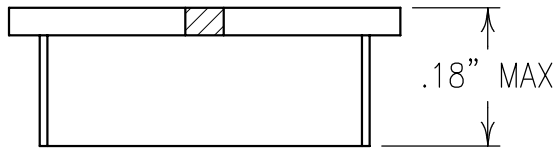


ELECTRICAL CHARACTERISTICS

CENTER FREQUENCY: 3500 MHz
 INSERTION LOSS: 0.7 dB NOM
 PASSBAND: 2620-3125 MHz
 PASSBAND FLATNESS: 0.6 dB
 VSWR: 1.5:1
 REJECTION:
 55 dBc: 5240-10000 MHz
 POWER: +20 dBm
 TEMPERATURE: 0° TO +60° C

COPY



Confidential and Proprietary information of ComNav Engineering Inc. Do Not Duplicate or Use Without Permission. ComNav Engineering Inc. claims Copyright in this document as of the Creation, last revision, and last updated dates. All Rights Reserved.

NOTES:	RECOMMENDED ATTACHMENT METHOD:	TEMP.(°C)	MAX. TIME (SECONDS)
SILVER EPOXY OR REFLOW NOT TO EXCEED:		215	90
		230	60
FILTER IS ROHS COMPLIANT.		245	30
FILTER MAY BE LABELED OR ETCHED.		260	15

ENGLISH / METRIC ENGLISH	CHECKED BY				
TOLERANCES UNLESS OTHERWISE SPECIFIED TO BE 125 / OR BETTER REMOVE ALL BURRS	DRAWN BY PBF				
ENGINEER KJR	REV	DATE	BY	DCN No.	REMARKS
II	08APR08	KJR	DEV.		INI. ISS. PER 2865
ENGLISH (INCHES) .XX ±.02 .XXX ±.01	METRIC (MM) .X ±.25 .XX ±.13	SCALE 4:1	APPLIC: CHIP AND WIRE FILTER		
ANGLES ± 0° 30'	DATE 15APR08	TITLE: 7LLC1-3500-L			
	FINISH: BOARD: NI/AU JACKET: NI/SILVER RESONATOR: SILVER	DRAWING No. 0L0869		SHEET/OF 1/1	