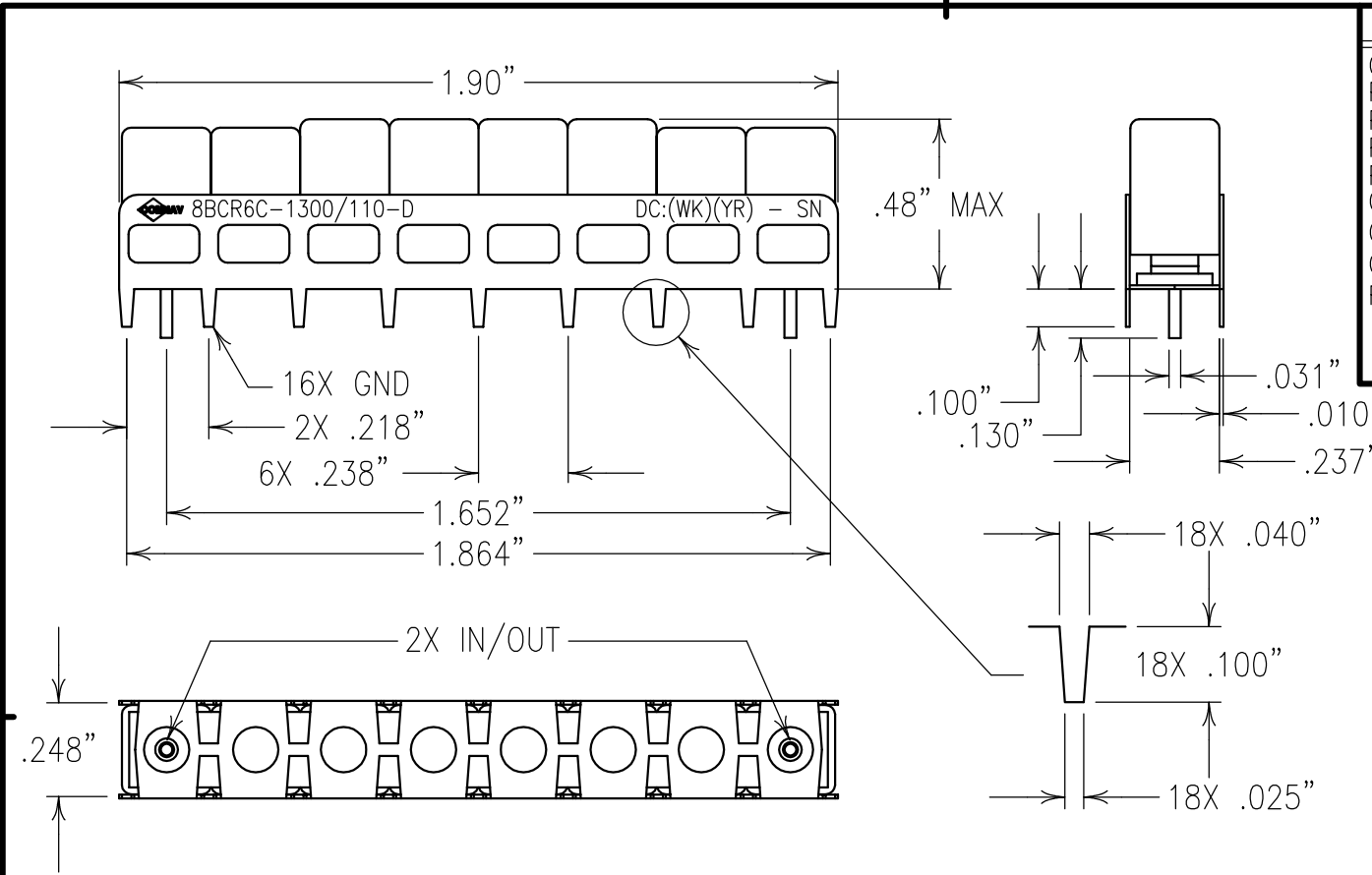


2

1

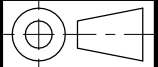

ELECTRICAL CHARACTERISTICS	
CENTER FREQUENCY:	1300 MHz
PASSBAND BANDWIDTH:	80 MHz
PB INSERTION LOSS:	6.0 dB MAX
PASSBAND RETURN LOSS:	>14 dB
PASSBAND FLATNESS:	<0.4 dB
GROUP DELAY (LINEAR):	±1.0 nSEC
GROUP DELAY (PARABOLIC):	<9.0 nSEC
GROUP DELAY (RIPPLE):	<0.7 nSEC
REJECTION:	
>80 dBc:	1650 MHz
>75 dBc:	1540 MHz
>45 dBc:	1160, 1440 MHz



**COPY**

NOTES:

FILTER IS ROHS COMPLIANT.  
 FILTER MAY BE LABELED OR ETCHED.

Confidential and Proprietary information of ComNav Engineering Inc. Do Not Duplicate or Use Without Permission. ComNav Engineering Inc. claims Copyright in this document as of the Creation, last revision, and last updated dates. All Rights Reserved.								A
ENGLISH / METRIC ENGLISH	CHECKED BY							
TOLERANCES UNLESS OTHERWISE SPECIFIED MACHINED SURFACES TO BE 125 / OR BETTER REMOVE ALL BURRS	DRAWN BY PBF	II	03APR08	KJR	DEV.	INI. ISS. PER 2860		
	ENGINEER KJR	REV	DATE	BY	DCN No.	REMARKS		
ENGLISH (INCHES) .XX ±.02 .XXX ±.010	METRIC (MM) .X ±.5 .XX ±.25	SCALE 2:1	APPLIC: CERAMIC COAXIAL FILTER					
ANGLES ± 0° 30'	DATE 03APR08	TITLE: 8BCR6C-1300/110-D						
		FINISH: JACKET: NICKEL/SILVER RESONATOR: SILVER				DRAWING No. 0L0861		SHEET OF 1 1

B

A