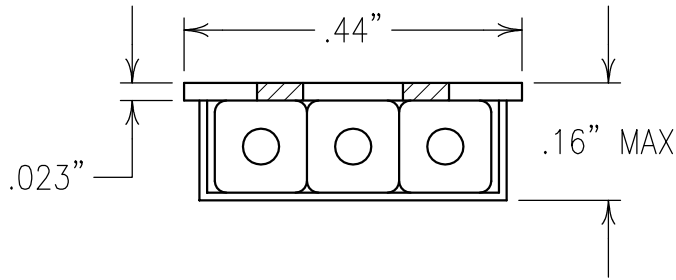


2

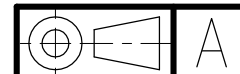
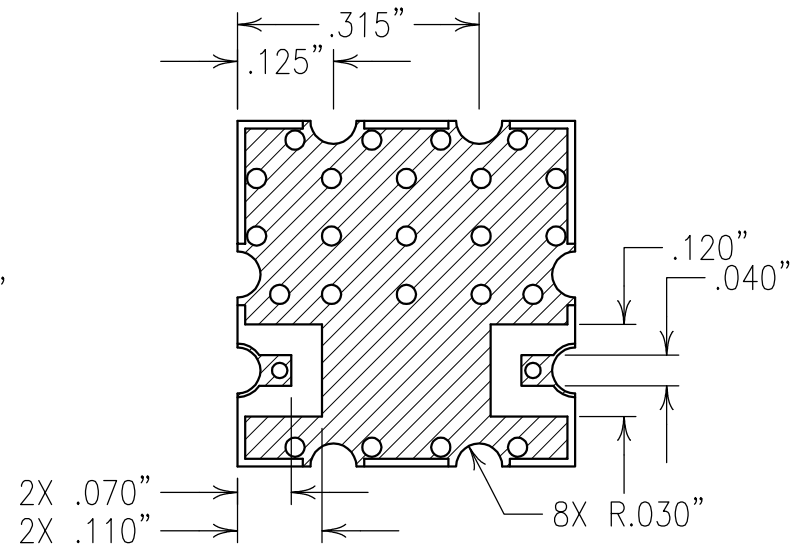
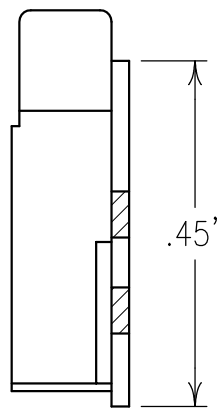
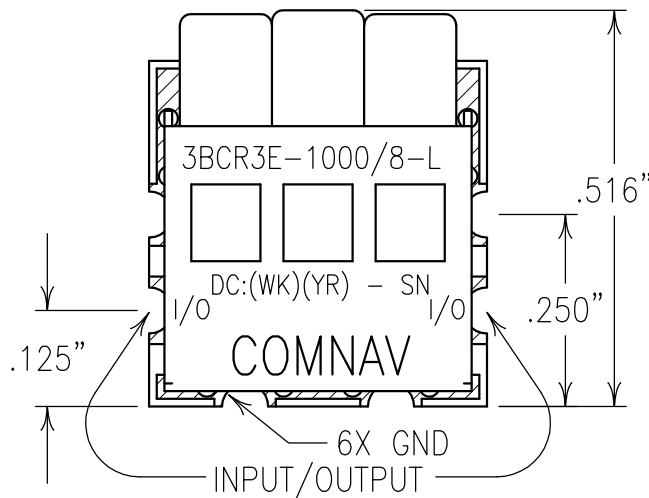
1

ELECTRICAL CHARACTERISTICS

CENTER FREQUENCY: 1000 MHz
 3 dB BANDWIDTH: 1 MHz MIN/8 MHz NOM
 INSERTION LOSS: 5.0 dB MAX @ FO
 VSWR: 1.7:1 TYPICAL
 REJECTION:
 60 dBc MIN (70 dBc GOAL) @ DC TO 800 MHz
 60 dBc MIN (70 dBc GOAL) @ 1200 TO 2600 MHz
 TEMPERATURE RANGE: -45 TO +85°C



COPY



Confidential and Proprietary information of ComNav Engineering Inc. Do Not Duplicate or Use Without Permission. ComNav Engineering Inc. claims Copyright in this document as of the Creation, last revision, and last updated dates. All Rights Reserved.

NOTES:

RECOMMENDED ATTACHMENT METHOD: SILVER EPOXY OR REFLOW NOT TO EXCEED AS INDICATED BELOW:

TEMP.(°C)	MAX.TIME(SEC)
215	90
230	60
245	30
260	15

FILTER IS ROHS COMPLIANT.
 FILTER MAY BE ETCHED OR LABELED.

ENGLISH / METRIC ENGLISH		CHECKED BY			
TOLERANCES UNLESS OTHERWISE SPECIFIED		DRAWN BY			
MACHINED SURFACES TO BE 125 / OR BETTER		PBF			
REMOVE ALL BURRS		ENGINEER			
ENGLISH (INCHES)		KJR		REV	
METRIC (MM)		KJR		DATE	
.XX ±.02		KJR		BY	
.XXX ±.010		KJR		DCN No.	
ANGLES ± 0° 30'		SCALE		APPLIC:	
		4:1		CERAMIC COAXIAL FILTER	
		DATE		TITLE:	
		18MAR08		3BCR3E-1000/8-L	
FINISH:		BOARD: NICKEL/GOLD PLATED COPPER		DRAWING No.	
JACKET: NICKEL/SILVER		RESONATOR: SILVER		0L0850	
SHEET OF		1		1	