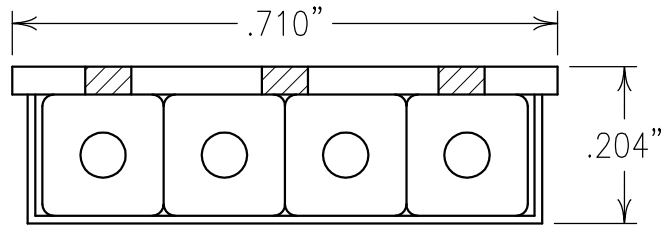


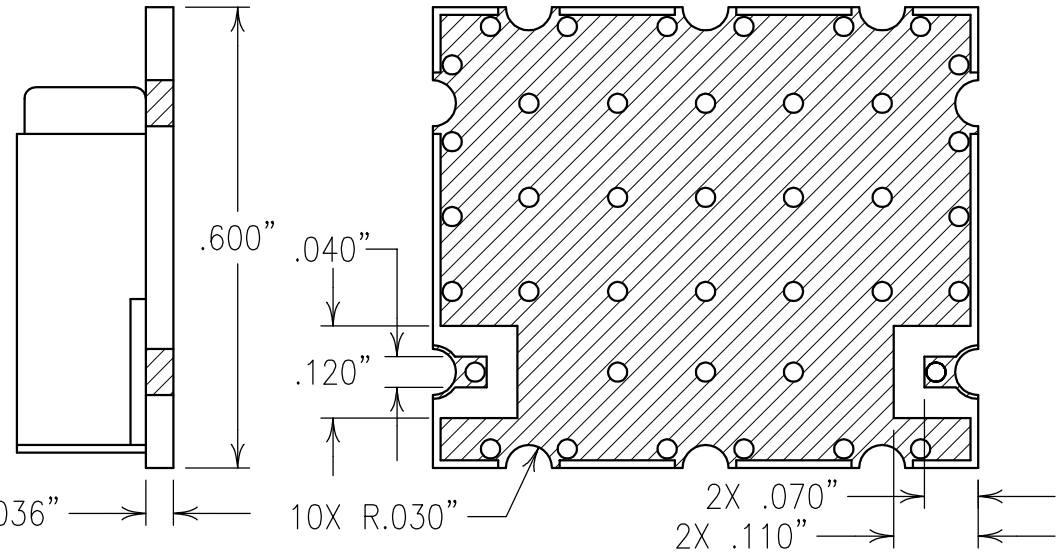
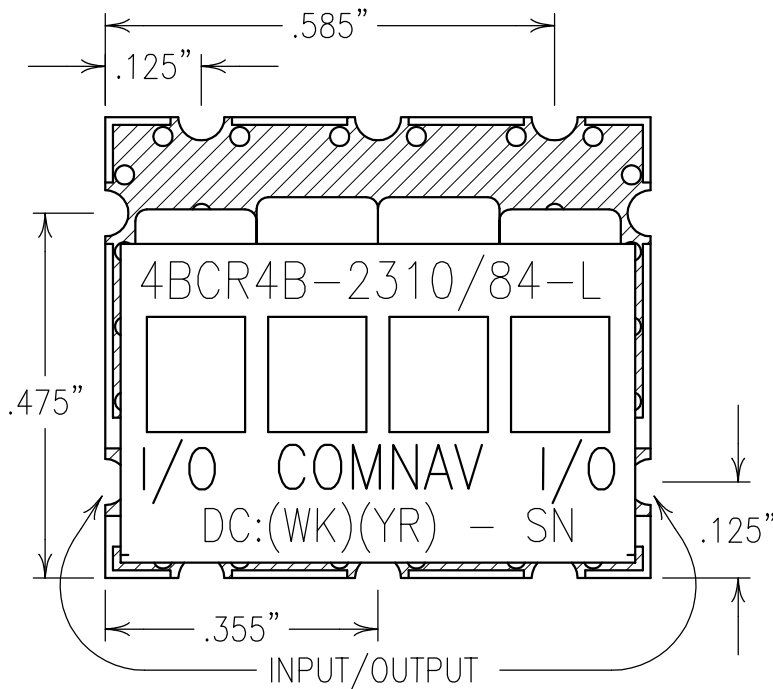
2

1



COPY

ELECTRICAL CHARACTERISTICS	
CENTER FREQUENCY:	2310 MHz
INSERTION LOSS:	1.5 dB MAX @ F0
3 dB BANDWIDTH:	84 MHz MIN
1 dB BANDWIDTH:	76 MHz MIN
VSWR:	1.5:1 TYPICAL
REJECTION:	50 dBc MIN @ 2112 AND 2496 MHz



Confidential and Proprietary information of ComNav Engineering Inc. Do Not Duplicate or Use Without Permission. ComNav Engineering Inc. claims Copyright in this document as of the Creation, last revision, and last updated dates. All Rights Reserved.

NOTES:

RECOMMENDED FOOTPRINT: FP0111.

RECOMMENDED ATTACHMENT METHOD: SILVER EPOXY OR REFLOW NOT TO EXCEED AS INDICATED BELOW:

TEMP.(°C) MAX. TIME(SEC)

215	90
230	60
245	30
260	15

FILTER MAY BE LABELED OR ETCHED.
FILTER IS ROHS COMPLIANT.

ENGLISH / METRIC ENGLISH		CHECKED BY			
TOLERANCES UNLESS OTHERWISE SPECIFIED		DRAWN BY			
MACHINED SURFACES TO BE 125 / OR BETTER		PBF			
REMOVE ALL BURRS		ENGINEER		II 13DEC07 KJR DEV. INI. ISS. PER 2802	
		KJR		REV DATE BY DCN No. REMARKS	
ENGLISH (INCHES)	METRIC (MM)	SCALE 4:1		APPLIC: CERAMIC COAXIAL FILTER	
.XX ±.02	.X ±.25	DATE 02JAN08		TITLE: 4BCR4B-2310/84-L	
.XXX ±.010	.XX ±.13			DRAWING No. 0L0821	
ANGLES ± 0° 30'		FINISH: BOARD: NI/GOLD JACKET: NI/SILVER RESONATOR: SILVER		SHEET OF 1 1	