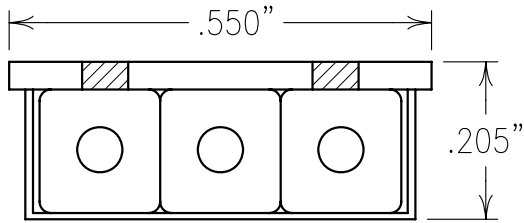


2

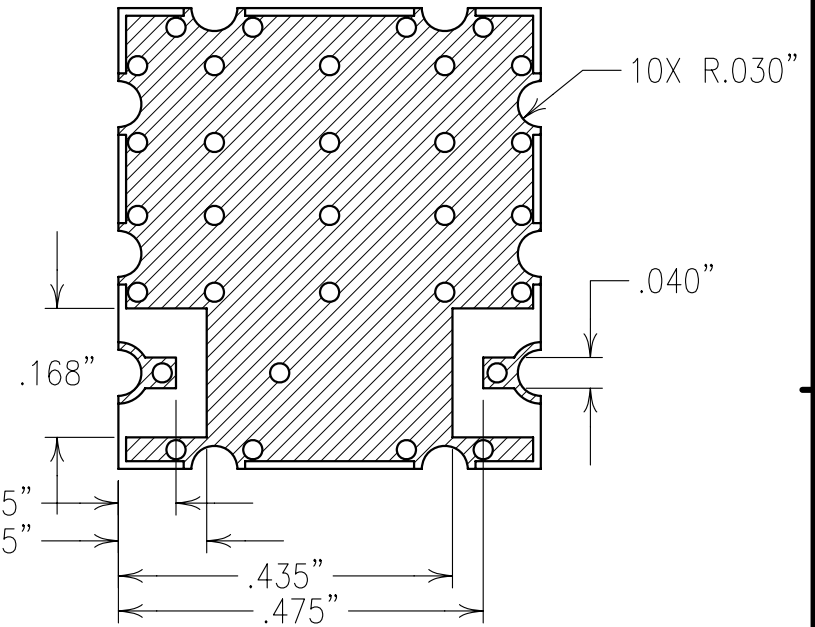
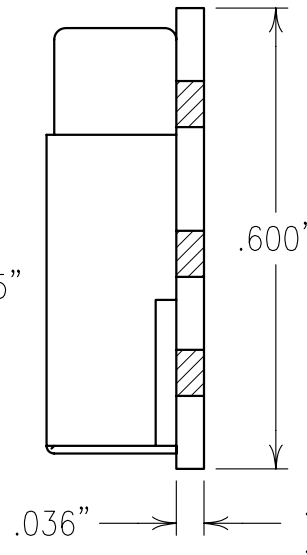
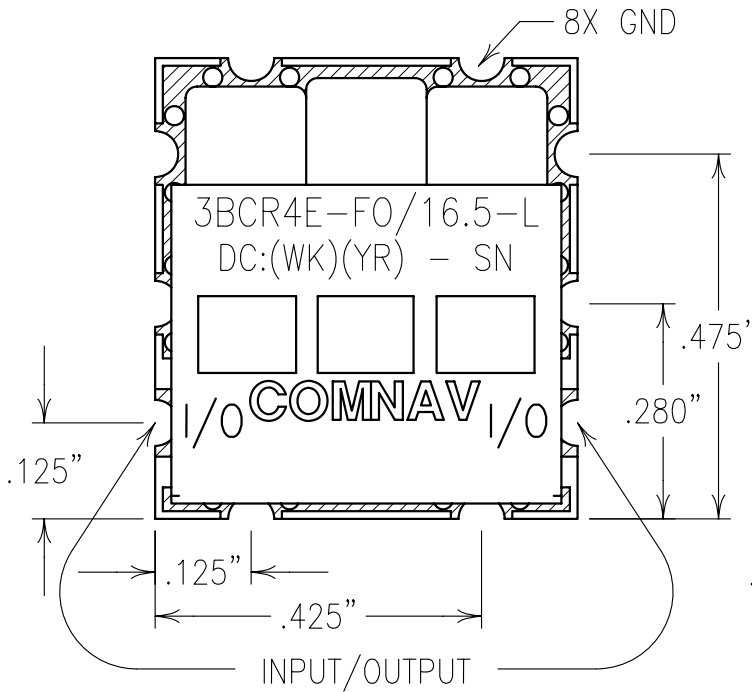
1



**COPY**

**ELECTRICAL CHARACTERISTICS**

CENTER FREQUENCY (FO): 920,960,1000,1040 MHz  
 INSERTION LOSS: 2.75 dB MAX @ FO  
 1 dB BANDWIDTH: 15 MHz MIN  
 RETURN LOSS: 1.7:1 TYPICAL  
 REJECTION: 30 dBc MIN @ FO±40 MHz  
 45 dBc MIN @ FO±80 MHz  
 60 dBc MIN @ FO±160 MHz



**Customer Validation:** \_\_\_\_\_

**NOTES:**

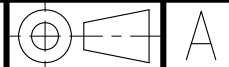
RECOMMENDED FOOTPRINT: FP0128.

RECOMMENDED ATTACHMENT METHOD: SILVER EPOXY  
 OR REFLOW NOT TO EXCEED AS INDICATED BELOW:  
 TEMP.(°C) MAX. TIME(SEC)

215	90
230	60
245	30
260	15

FILTER MAY BE LABELED OR ETCHED.  
 FILTER IS ROHS COMPLIANT.

Confidential and Proprietary information of ComNav Engineering Inc. Do Not Duplicate or Use Without Permission. ComNav Engineering Inc. claims Copyright in this document as of the Creation, last revision, and last updated dates. All Rights Reserved.



ENGLISH / METRIC ENGLISH	CHECKED BY				
TOLERANCES UNLESS OTHERWISE SPECIFIED	DRAWN BY				
MACHINED SURFACES TO BE 125 / OR BETTER	PBF	II	20SEP07	KJR	DEV. INI. ISS. PER 2738
REMOVE ALL BURRS	ENGINEER	REV	DATE	BY	DCN No. REMARKS
ENGLISH (INCHES)	METRIC (MM)	SCALE	APPLIC: CERAMIC COAXIAL FILTER		
.XX ±.02	.X ±.25	4:1	TITLE: 3BCR4E-FO/16.5-L		
.XXX ±.010	.XX ±.13	DATE	21SEP07		
ANGLES ± 0° 30'		FINISH:	BOARD: NI/GOLD JACKET: NI/SILVER RESONATOR: SILVER		DRAWING No. 010774
					SHEET OF 1 1