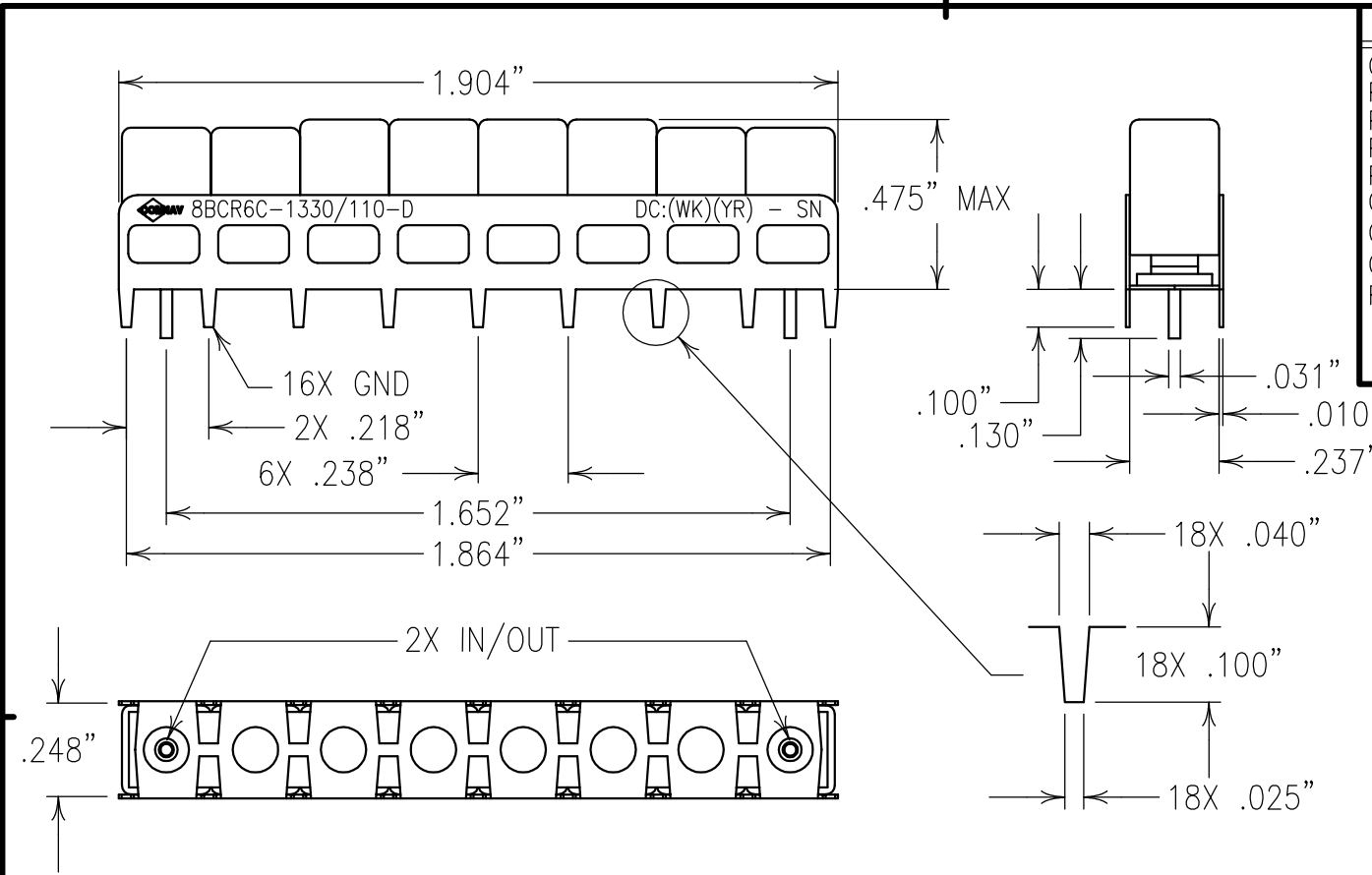


2

1

ELECTRICAL CHARACTERISTICS	
CENTER FREQUENCY:	1330 MHz
PASSBAND BANDWIDTH:	80 MHz
PB INSERTION LOSS:	6.0 dB MAX
PASSBAND RETURN LOSS:	>14 dB
PASSBAND FLATNESS:	<0.4 dB
GROUP DELAY (LINEAR):	±1.0 nSEC
GROUP DELAY (PARABOLIC):	<9.0 nSEC
GROUP DELAY (RIPPLE):	<0.7 nSEC
REJECTION:	
>80 dBc:	1570, 1650 MHz
>75 dBc:	1470 MHz
>45 dBc:	1190 MHz



COPY

NOTES:

FILTER IS ROHS COMPLIANT.
 FILTER MAY BE LABELED OR ETCHED.

Confidential and Proprietary information of ComNav Engineering Inc. Do Not Duplicate or Use Without Permission. ComNav Engineering Inc. claims Copyright in this document as of the Creation, last revision, and last updated dates. All Rights Reserved.								A
ENGLISH / METRIC ENGLISH	CHECKED BY							
TOLERANCES UNLESS OTHERWISE SPECIFIED	DRAWN BY	A	17SEP08	KJR	DEV.	GEN. REV. PER 2933		
MACHINED SURFACES TO BE 125 / OR BETTER	ENGINEER	II	14MAY07	KJR	DEV.	INI. ISS. PER 2668		
REMOVE ALL BURRS	KJR	REV	DATE	BY	DCN No.	REMARKS		
ENGLISH (INCHES)	METRIC (MM)	SCALE	APPLIC: CERAMIC COAXIAL FILTER					
.XX ±.02	.X ±.5	2:1						
.XXX ±.010	.XX ±.25	DATE	TITLE: 8BCR6C-1330/110-D					
ANGLES ± 0° 30'	23SEP08							
		FINISH: JACKET: NICKEL/SILVER RESONATOR: SILVER				DRAWING No. 010733		SHEET OF 1 1

B

A