

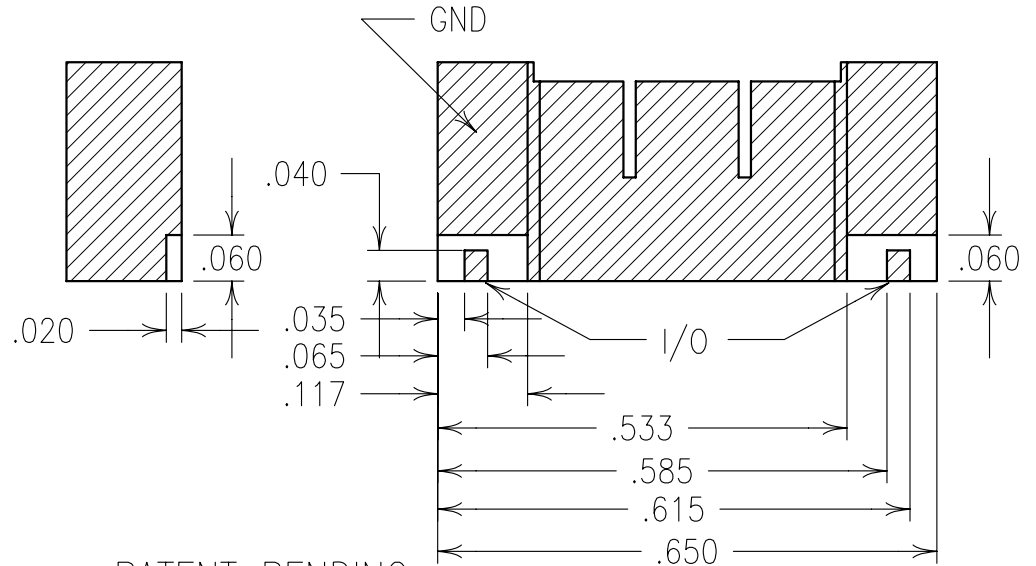
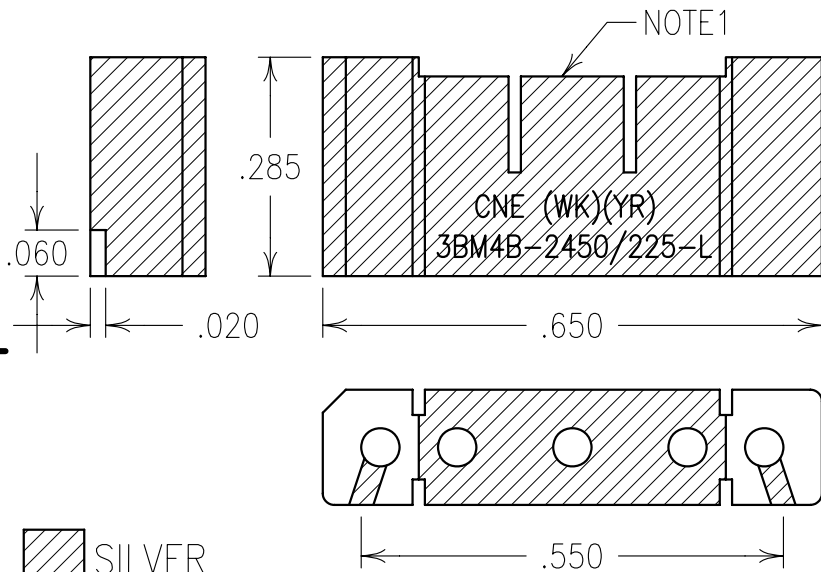
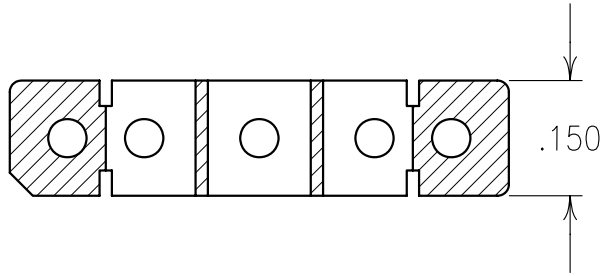
2

1

### ELECTRICAL CHARACTERISTICS

CENTER FREQUENCY:	2450 MHz
3 dB BANDWIDTH:	225 MHz NOM
PASSBAND:	2400-2500 MHz
LOSS:	<0.75 dB
FLATNESS:	<0.25 dB
VSWR:	1.7:1
30 dBc REJECTION:	F0±300 MHz

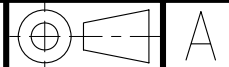
**COPY**



 SILVER  
 CERAMIC

PATENT PENDING

Confidential and Proprietary information of ComNav Engineering Inc. Do Not Duplicate or Use Without Permission. ComNav Engineering Inc. claims Copyright in this document as of the Creation, last revision, and last updated dates. All Rights Reserved.



#### NOTES:


NOTE1: MAINTAIN 0.030" CLEARANCE TO AVOID DE-TUNING.

RECOMMENDED ATTACHMENT METHOD:

SILVER EPOXY OR REFLOW NOT TO EXCEED AS INDICATED:

TEMP.(°C)	MAX.TIME(SEC)
215	90
230	60
245	30
260	15

FILTER IS ROHS COMPLIANT.  
 MARKING IS DONE WITH EPOXY INK.

ENGLISH / METRIC ENGLISH	CHECKED BY				
TOLERANCES UNLESS OTHERWISE SPECIFIED	DRAWN BY PBF				
MACHINED SURFACES TO BE 125 / OR BETTER	ENGINEER MJG	II	19MAR07	MJG	DEV.
REMOVE ALL BURRS	REV	DATE	BY	DCN No.	REMARKS
ENGLISH (INCHES)	METRIC (MM)	SCALE 4:1	APPLIC: CERAMIC COAXIAL FILTER		
.XX ±.02 .XXX ±.010	.X ±.25 .XX ±.13	DATE 20MAR07	TITLE: 3BM4B-2450/225-L		
ANGLES ± 0° 30'	FINISH: SILVER	DRAWING No.		SHEET OF 1 1	
		0L0710			