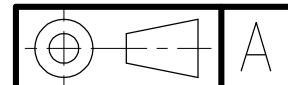
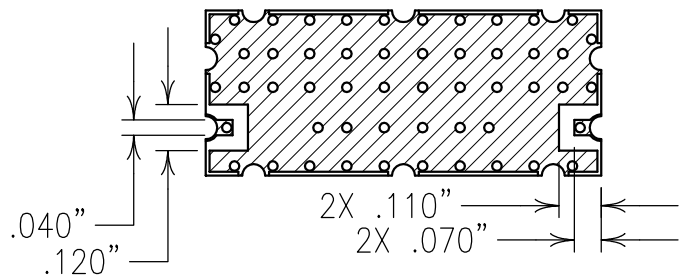
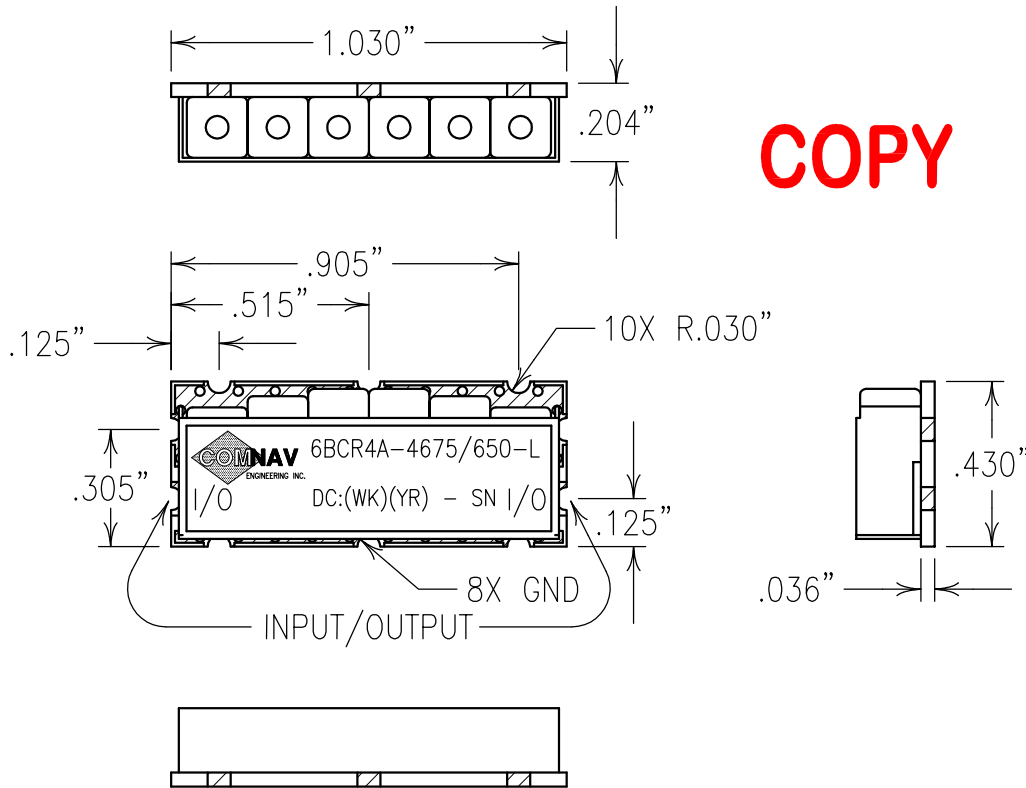


ELECTRICAL CHARACTERISTICS

CENTER FREQUENCY:	4675 MHz NOM
LOWER 1dB PASSBAND EDGE:	4300-4400 MHz
UPPER 1dB PASSBAND EDGE:	4950-5050 MHz
70 dBc REJECTION:	1000-2000 MHz
40 dBc REJECTION:	3000-4000 MHz
60 dBc REJECTION:	5860-6415 MHz
70 dBc REJECTION:	7100-7880 MHz
40 dBc REJECTION:	8000-10000 MHz
(DESIGN TO MEET ABOVE 8.5 GHz)	
INSERTION LOSS @ 4675 MHz:	3 dB MAX
0.5 dB PASSBAND FLATNESS:	4400-4950 MHz
5.0 NSEC GROUP DELAY VARIATION ACROSS ANY 10 MHz SPAN:	4400-4950 MHz
IMPEDANCE:	50 OHMS
RETURN LOSS ACROSS 1dB BW:	-14 dB

COPY



Confidential and Proprietary information of ComNav Engineering Inc. Do Not Duplicate or Use Without Permission. ComNav Engineering Inc. claims Copyright in this document as of the Creation, last revision, and last updated dates. All Rights Reserved.

NOTES:

RECOMMENDED ATTACHMENT METHOD:		
SILVER EPOXY OR REFLOW NOT TO EXCEED:	TEMP.(°C)	MAX. TIME (SECONDS)
	215	90
	230	60
	245	30
	260	15

FILTER IS ROHS COMPLIANT.
 FILTER MAY BE LABELED OR ETCHED.

ENGLISH / METRIC ENGLISH	CHECKED BY	B	10SEP08	KJR	DEV.	GEN. REV. PER 2923
TOLERANCES UNLESS OTHERWISE SPECIFIED MACHINED SURFACES TO BE .125 / OR BETTER REMOVE ALL BURRS	DRAWN BY	A	15APR07	KJR	DEV.	GEN. REV. PER 2657
	ENGINEER	II	18JAN07	KJR	DEV.	INI. ISS. PER 2613
	KJR	REV	DATE	BY	DCN No.	REMARKS
ENGLISH (INCHES) .XX ±.02 .XXX ±.01	METRIC (MM) .X ±.25 .XX ±.13	SCALE	APPLIC: CERAMIC COAXIAL FILTER			
ANGLES ± 0° 30'	DATE	10SEP08	TITLE: 6BCR4A-4675/650-L			
COMNAV ENGINEERING INC.	FINISH: BOARD: NI/AU JACKET: NI/SILVER RESONATOR: SILVER	DRAWING No.		SHEET/OF		
		OL0701		1 / 1		