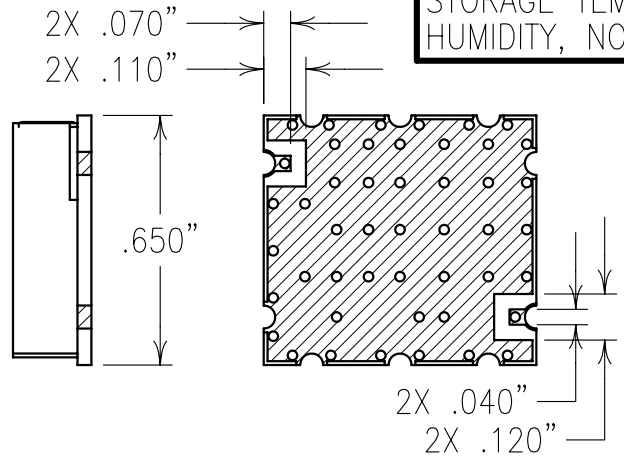
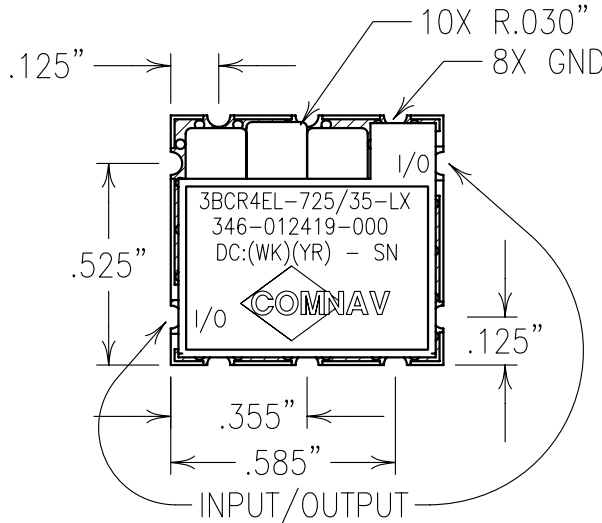
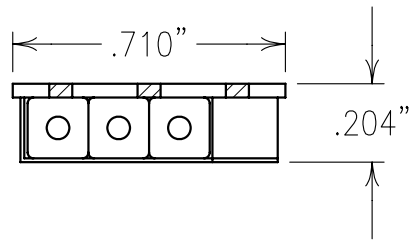
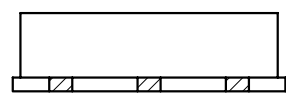


ELECTRICAL CHARACTERISTICS

CENTER FREQUENCY:	722-728 MHz
1 dB BANDWIDTH:	25 MHz MIN
30 dB BANDWIDTH:	125 MHz MAX
45 dBc REJECTION:	1500-6000 MHz
0.5 dB PASSBAND FLATNESS:	720-730 MHz
3.5 NSEC PB DELAY VARIATION:	720-730 MHz
INSERTION LOSS @ 725 MHz:	8 dB MAX
IMPEDANCE:	50 OHMS
VSWR @ 725 MHz:	1.5:1
OPERATING TEMP:	-20 TO +80°C
STORAGE TEMP:	-20 TO +85°C
HUMIDITY, NON CONDENSING:	5 TO +95%



COPY



Confidential and Proprietary information of ComNav Engineering Inc. Do Not Duplicate or Use Without Permission. ComNav Engineering Inc. claims Copyright in this document as of the Creation, last revision, and last updated dates. All Rights Reserved.

ENGLISH / METRIC ENGLISH		CHECKED BY							
TOLERANCES UNLESS OTHERWISE SPECIFIED		DRAWN BY		PBF					
MACHINED SURFACES TO BE 125 / OR BETTER		ENGINEER		KJR		DEV.		INI. ISS. PER 2606	
REMOVE ALL BURRS		REV		DATE		BY		DCN No. REMARKS	
ENGLISH (INCHES)	METRIC (MM)	SCALE		APPLIC: CERAMIC COAXIAL FILTER					
.XX ±.01	.X ±.2	2:1		DATE		TITLE: 3BCR4EL-725/35-LX			
.XXX ±.005	.XX ±.13	23JAN07		FINISH: BOARD: NI/GOLD		DRAWING No.		SHEET OF 1 1	
ANGLES ± 0° 30'		COMNAV ENGINEERING INC		JACKET: NI/SILVER		0L0700			
				RESONATOR: SILVER					

NOTES:
 RECOMMENDED ATTACHMENT METHOD: SILVER EPOXY OR REFLOW NOT TO EXCEED AS INDICATED BELOW:
 TEMP.(°C) MAX.TIME(SEC)

215	90
230	60
245	30
260	15

FILTER MAY BE LABELED OR ETCHED
 FILTER IS ROHS COMPLIANT