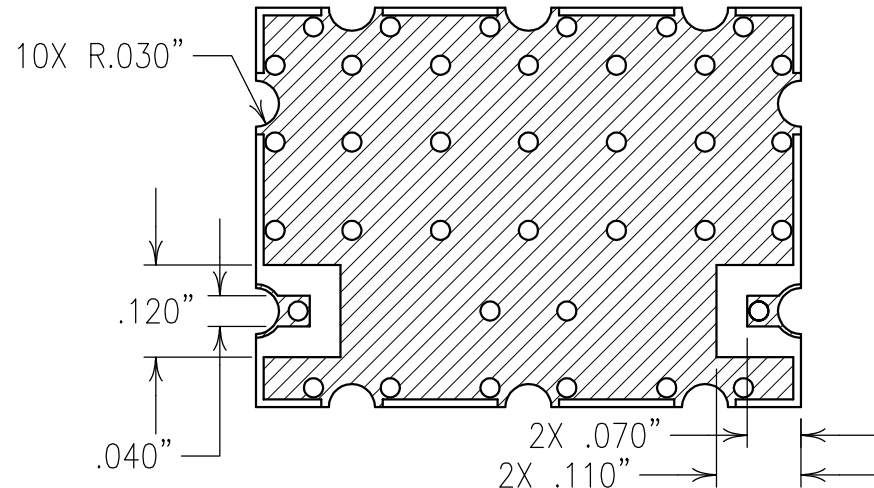
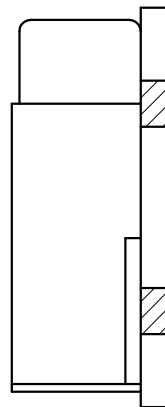
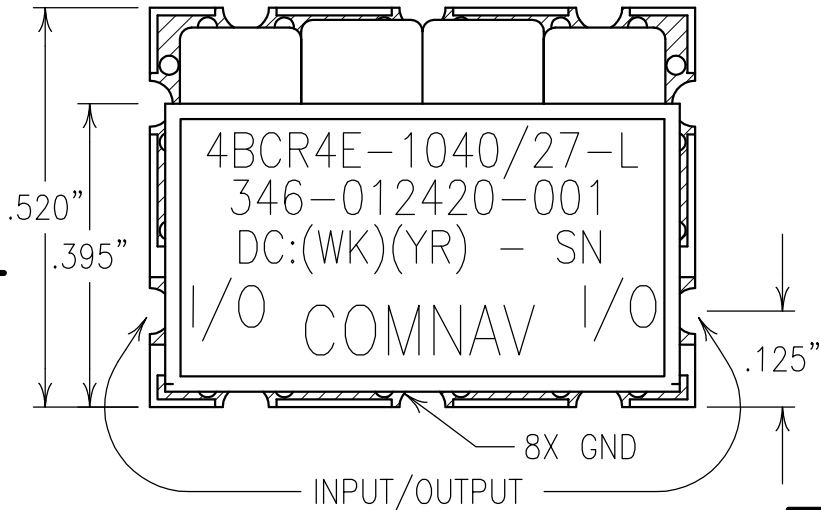
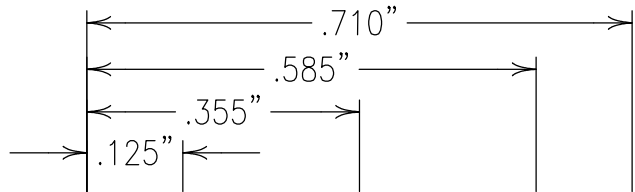
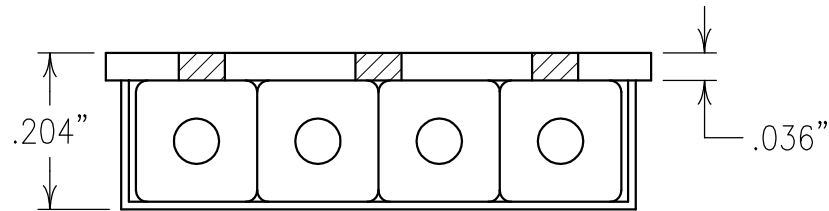


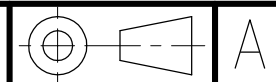
2

1



ELECTRICAL CHARACTERISTICS	
CENTER FREQUENCY:	1038-1042 MHz
1 dB BANDWIDTH:	15 MHz MIN
60 dBc REJECTION:	895-905 MHz
45 dBc REJECTION:	970, 1110 MHz
60 dBc REJECTION:	1175-1185 MHz
35 dBc REJECTION:	1500-2500 MHz
0.5 dB PASSBAND FLATNESS:	1035-1045 MHz
5.0 NSEC PB DELAY VARIATION:	1035-1045 MHz
INSERTION LOSS @ 1040 MHz:	8 dB MAX
IMPEDANCE:	50 OHMS
VSWR @ 1040 MHz:	1.5:1
OPERATING TEMP:	-20 TO +80°C
STORAGE TEMP:	-20 TO +85°C
HUMIDITY, NON CONDENSING:	5 TO +95%

Confidential and Proprietary information of ComNav Engineering Inc. Do Not Duplicate or Use Without Permission. ComNav Engineering Inc. claims Copyright in this document as of the Creation, last revision, and last updated dates. All Rights Reserved.



NOTES:
 RECOMMENDED ATTACHMENT METHOD: SILVER EPOXY OR REFLOW NOT TO EXCEED AS INDICATED BELOW:
 TEMP.(°C) MAX.TIME(SEC)
 215 90
 230 60
 245 30
 260 15
 FILTER IS ROHS COMPLIANT.
 FILTER MAY BE LABELED OR ETCHED.

ENGLISH / METRIC ENGLISH	CHECKED BY	B	29NOV07	KJR	DEV.	GEN. REV. PER 2790
TOLERANCES UNLESS OTHERWISE SPECIFIED MACHINED SURFACES TO BE 125 OR BETTER REMOVE ALL BURRS	DRAWN BY	A	26FEB07	JSW	DEV.	GEN. REV. PER 2628
ENGLISH (INCHES) .XX ±.02 .XXX ±.01	ENGINEER	II	02JAN07	KJR	DEV.	INI. ISS. PER 2606
METRIC (MM) .X ±.25 .XX ±.13	KJR	REV	DATE	BY	DCN No.	REMARKS
ANGLES ± 0° 30'	SCALE	APPLIC: CERAMIC COAXIAL FILTER				
	DATE	TITLE: 4BCR4E-1040/27-L				
	29NOV07	FINISH: BOARD: NI/AU JACKET: NI/SILVER RESONATOR: SILVER				
		DRAWING No.				SHEET/OF
		0L0697				1/1