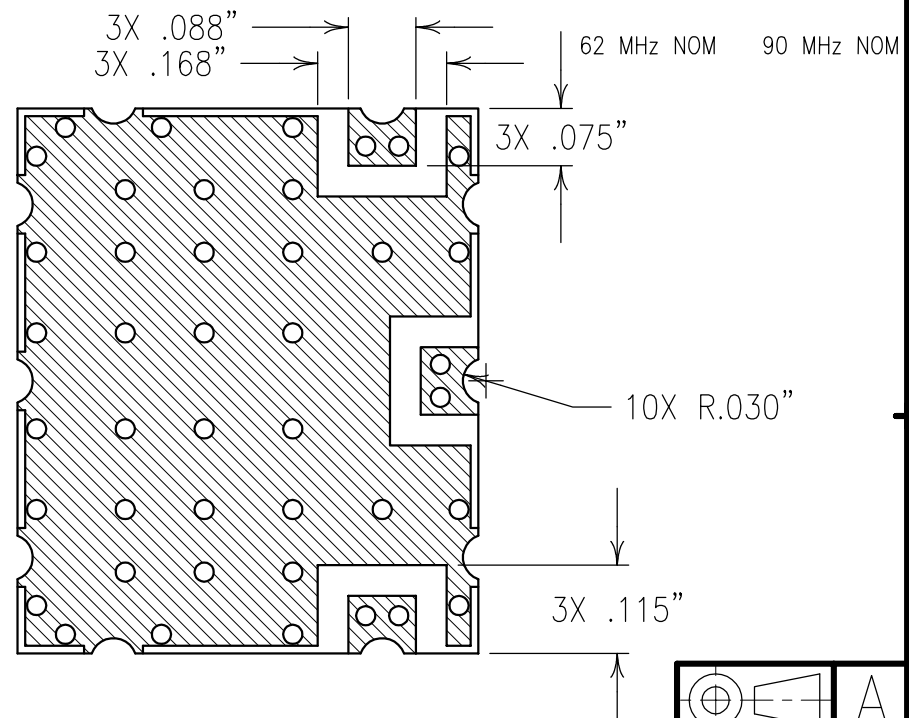
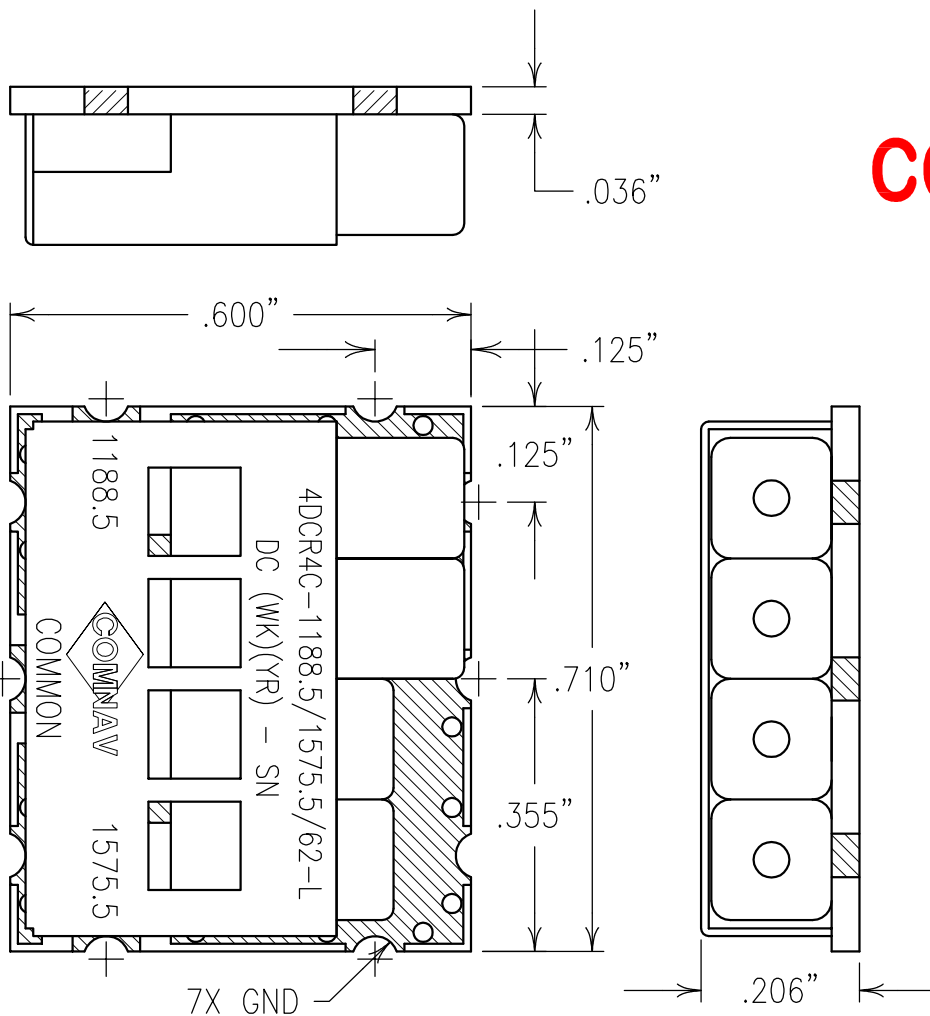


2

1

COPY

ELECTRICAL CHARACTERISTICS		
	CHANNEL 1	CHANNEL 2
CENTER FREQUENCY:	1188.5 MHz	1575.5 MHz
3dB BANDWIDTH:	62 MHz NOM	62 MHz NOM
PASSBAND (MHz):	1166-1211	1555-1576
INSERTION LOSS:	1.0 dB MAX @ FO	1.0 dB MAX @ FO
PASSBAND FLATNESS:	<0.75 dB MAX	<0.75 dB MAX
RETURN LOSS:	1.7:1 TYP	1.7:1 TYP
REJECTION:		
FO ±40 MHz:	4 dBc MIN	5 dBc MIN
1555-1576 MHz:	38 dBc MIN	
1166-1211 MHz:		40 dBc MIN



Confidential and Proprietary information of ComNav Engineering Inc. Do Not Duplicate or Use Without Permission. ComNav Engineering Inc. claims Copyright in this document as of the Creation, last revision, and last updated dates. All Rights Reserved.

NOTES:
 FOR RECOMMENDED FOOTPRINT SEE FP0002.
 RECOMMENDED ATTACHMENT METHOD: SILVER EPOXY OR REFLOW NOT TO EXCEED AS INDICATED BELOW:
 TEMP.(°C) MAX. TIME(SEC)

215	90
230	60
245	30
260	15

FILTER IS ROHS COMPLIANT.
 FILTER MAY BE ETCHED OR LABELED.

ENGLISH / METRIC ENGLISH	CHECKED BY				
TOLERANCES UNLESS OTHERWISE SPECIFIED	DRAWN BY	A	28AUG07	KJR	DEV.
MACHINED SURFACES TO BE 125 / OR BETTER	ENGINEER	II	24OCT06	KJR	DEV.
REMOVE ALL BURRS	REVISIONS	REV	DATE	BY	DCN No.
ENGLISH (INCHES)	SCALE	APPLIC: CERAMIC COAXIAL FILTER			
METRIC (MM)	DATE	TITLE: 4DCR4C-1188.5/1575.5/62-L			
.XX ±.02 .XXX ±.010	28AUG07	DRAWING No. 0L0683			
ANGLES ± 0° 30'	FINISH:	BOARD: NI/GOLD JACKET: NI/SILVER RESONATOR: SILVER			
COMNAV ENGINEERING INC.		SHEET OF 1 1			