

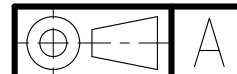
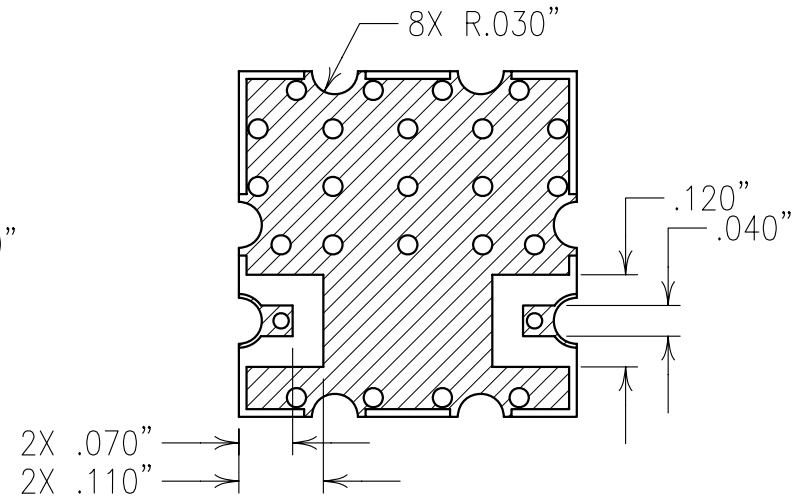
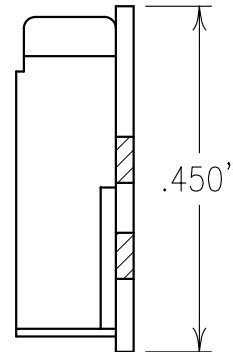
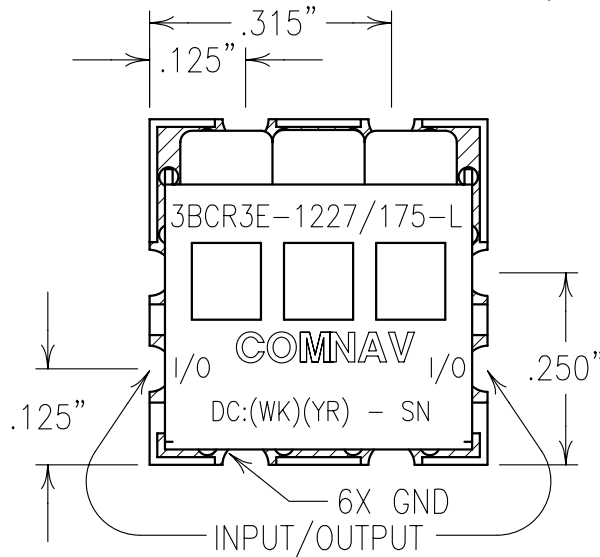
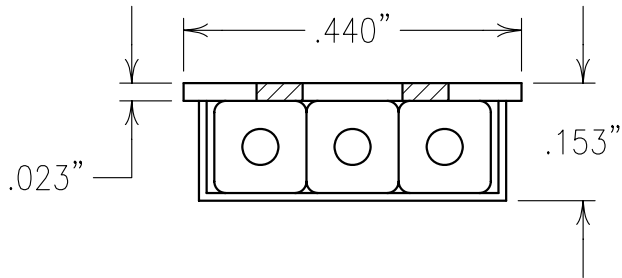
2

1

ELECTRICAL CHARACTERISTICS

CENTER FREQUENCY:	1227 MHz
PASSBAND:	1165-1300 MHz
INSERTION LOSS:	<1.0 dB
PASSBAND FLATNESS:	<0.5 dB
VSWR:	1.5:1 TYP.
REJECTION:	
1092.5 MHz:	>16 dBc
1372.5 MHz:	>11 dBc
1032.5 MHz:	>27 dBc
1432.5 MHz:	>19 dBc

COPY



Confidential and Proprietary information of ComNav Engineering Inc. Do Not Duplicate or Use Without Permission. ComNav Engineering Inc. claims Copyright in this document as of the Creation, last revision, and last updated dates. All Rights Reserved.

NOTES:

RECOMMENDED ATTACHMENT METHOD: SILVER EPOXY OR REFLOW NOT TO EXCEED AS INDICATED BELOW:

TEMP.(°C)	MAX.TIME(SEC)	
215	90	
230	60	
245	30	FILTER IS ROHS COMPLIANT.
260	15	FILTER MAY BE ETCHED OR LABELED.

ENGLISH / METRIC ENGLISH		CHECKED BY			
TOLERANCES UNLESS OTHERWISE SPECIFIED		DRAWN BY			
MACHINED SURFACES TO BE 125 OR BETTER		PBF			
REMOVE ALL BURRS		ENGINEER			
ENGLISH (INCHES)		KJR		REV	
METRIC (MM)		31AUG06		DATE	
.XX ±.02		KJR		BY	
.XXX ±.010				DCN No.	
ANGLES ± 0° 30'		SCALE		APPLIC:	
		4:1		CERAMIC COAXIAL FILTER	
		DATE		TITLE:	
		13SEP06		3BCR3E-1227/175-L	
FINISH:		BOARD: NICKEL/GOLD PLATED COPPER		DRAWING No.	
JACKET: NICKEL/SILVER		RESONATOR: SILVER		0L0676	
SHEET OF		1		1	