

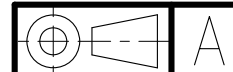
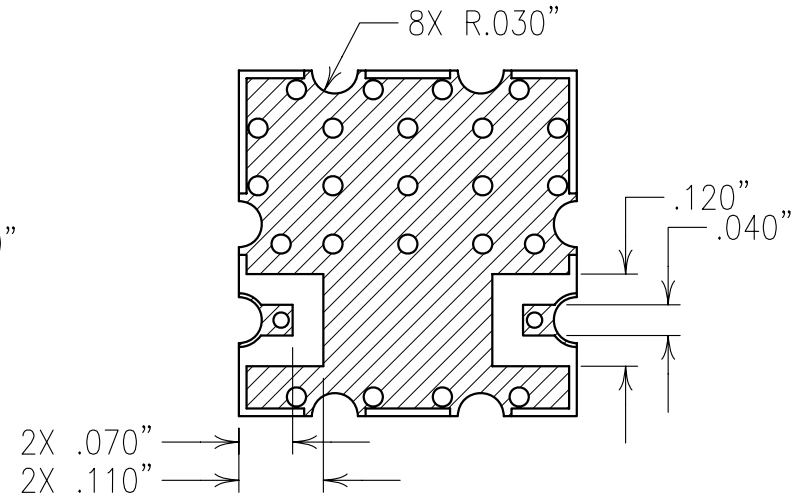
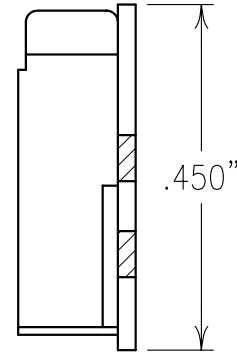
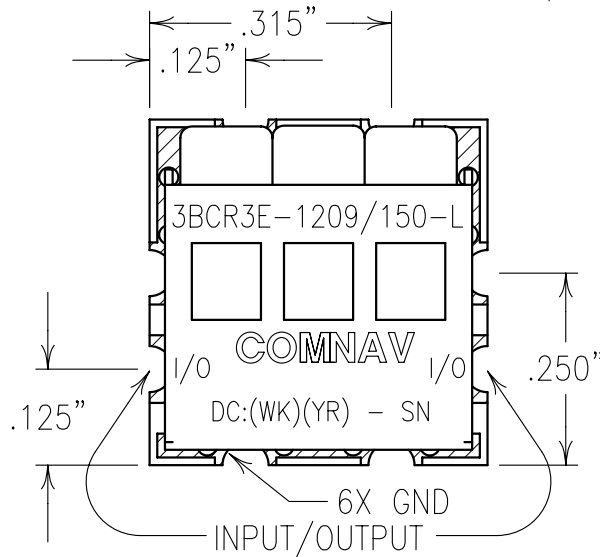
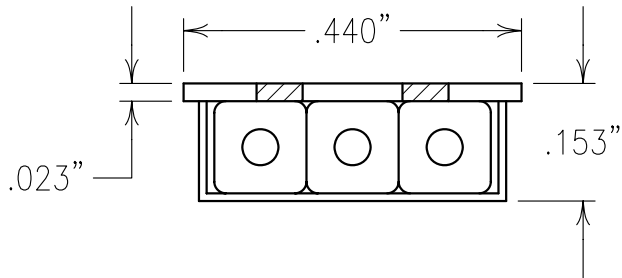
2

1

ELECTRICAL CHARACTERISTICS

CENTER FREQUENCY:	1209 MHz
PASSBAND:	1165-1253 MHz
INSERTION LOSS:	<1.0 dB
PASSBAND FLATNESS:	<0.5 dB
VSWR:	1.5:1 TYP.
REJECTION:	
960 MHz:	>43 dBc
1070 MHz:	>22 dBc
1350 MHz:	>18 dBc
1460 MHz:	>30 dBc

COPY



Confidential and Proprietary information of ComNav Engineering Inc. Do Not Duplicate or Use Without Permission. ComNav Engineering Inc. claims Copyright in this document as of the Creation, last revision, and last updated dates. All Rights Reserved.

NOTES:

RECOMMENDED ATTACHMENT METHOD: SILVER EPOXY OR REFLOW NOT TO EXCEED AS INDICATED BELOW:

TEMP.(°C)	MAX.TIME(SEC)	
215	90	
230	60	
245	30	FILTER IS ROHS COMPLIANT.
260	15	FILTER MAY BE ETCHED OR LABELED.

ENGLISH / METRIC ENGLISH	CHECKED BY				
TOLERANCES UNLESS OTHERWISE SPECIFIED MACHINED SURFACES TO BE 125 / OR BETTER REMOVE ALL BURRS	DRAWN BY PBF				
ENGLISH (INCHES) .XX ±.02 .XXX ±.010 ANGLES ± 0° 30'	ENGINEER KJR	REV II	DATE 31AUG06	BY KJR	DCN No. DEV.
	SCALE 4:1	APPLIC: CERAMIC COAXIAL FILTER			
	DATE 13SEP06	TITLE: 3BCR3E-1209/150-L			
	FINISH: BOARD: NICKEL/GOLD PLATED COPPER JACKET: NICKEL/SILVER RESONATOR: SILVER	DRAWING No. 0L0675			SHEET OF 1 1

B

A