

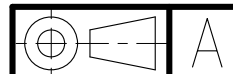
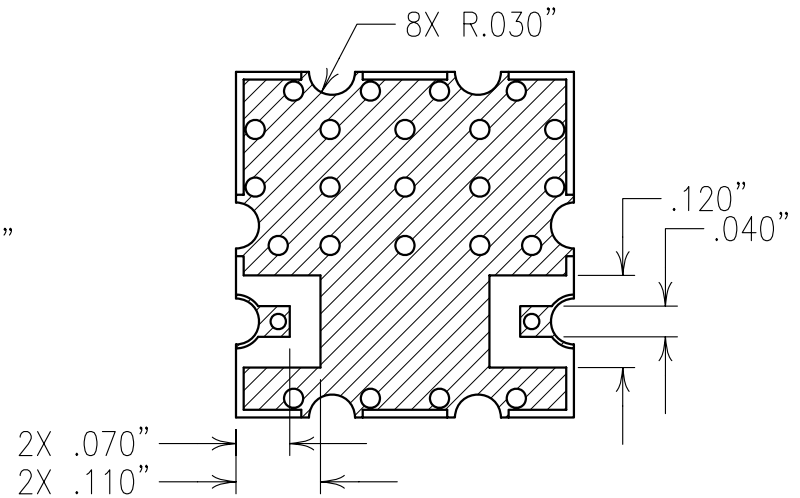
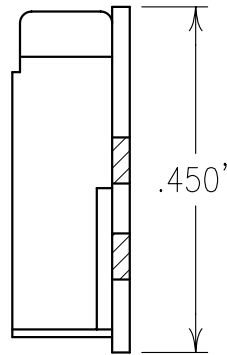
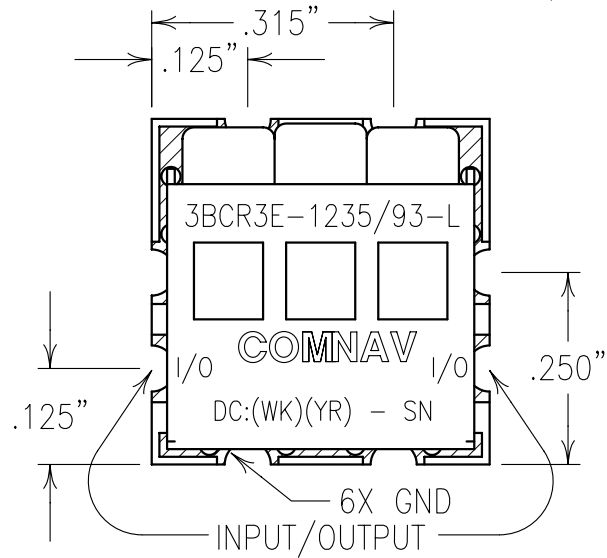
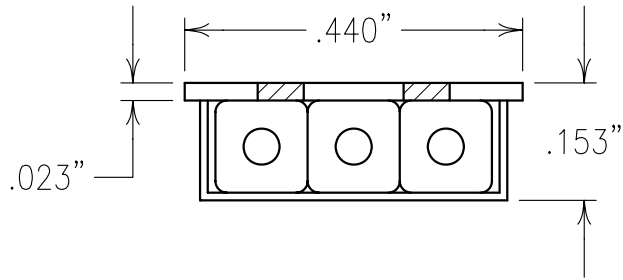
2

1

ELECTRICAL CHARACTERISTICS

CENTER FREQUENCY:	1235 MHz
PASSBAND:	1217-1253 MHz
INSERTION LOSS:	<1.0 dB
PASSBAND FLATNESS:	<0.5 dB
VSWR:	1.5:1 TYP.
REJECTION:	
1135 MHz:	>22 dBc
1335 MHz:	>18 dBc
1035 MHz:	>42 dBc
1435 MHz:	>32 dBc

COPY



Confidential and Proprietary information of ComNav Engineering Inc. Do Not Duplicate or Use Without Permission. ComNav Engineering Inc. claims Copyright in this document as of the Creation, last revision, and last updated dates. All Rights Reserved.

NOTES:

RECOMMENDED ATTACHMENT METHOD: SILVER EPOXY OR REFLOW NOT TO EXCEED AS INDICATED BELOW:

TEMP.(°C)	MAX.TIME(SEC)	
215	90	
230	60	
245	30	FILTER IS ROHS COMPLIANT.
260	15	FILTER MAY BE ETCHED OR LABELED.

ENGLISH / METRIC ENGLISH		CHECKED BY			
TOLERANCES UNLESS OTHERWISE SPECIFIED		DRAWN BY			
MACHINED SURFACES TO BE 125 OR BETTER		PBF			
REMOVE ALL BURRS		ENGINEER		II 31AUG06 KJR DEV. INI. ISS. PER 2561	
		KJR		REV DATE BY DCN No. REMARKS	
ENGLISH (INCHES)	METRIC (MM)	SCALE		APPLIC:	
.XX ±.02	.X ±.5	4:1		CERAMIC COAXIAL FILTER	
.XXX ±.010	.XX ±.25	DATE		TITLE:	
ANGLES ± 0° 30'		13SEP06		3BCR3E-1235/93-L	
FINISH:		DRAWING No.		SHEET OF	
BOARD: NICKEL/GOLD PLATED COPPER		0L0674		1 1	
JACKET: NICKEL/SILVER					
RESONATOR: SILVER					