

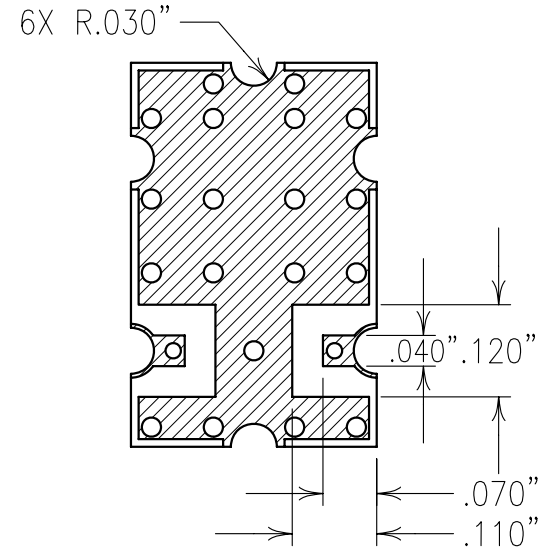
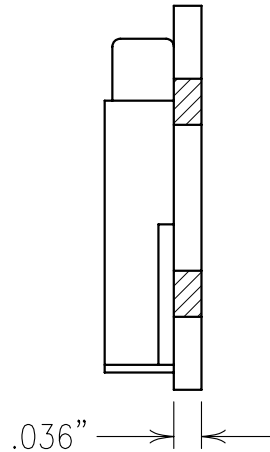
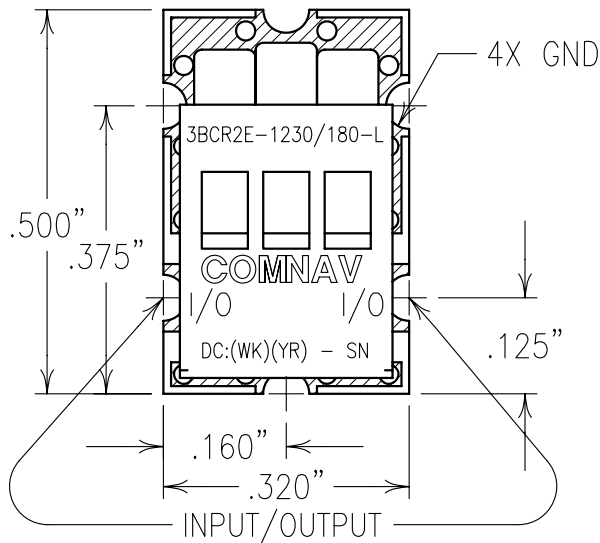
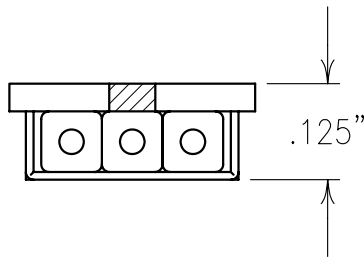
2

1

ELECTRICAL CHARACTERISTICS

CENTER FREQUENCY: 1230 MHz
 1.0 dB PASSBAND: 1160-1300 MHz
 INSERTION LOSS: 1 dB MAX @ FO
 PASSBAND VSWR: 1.5:1 TYP
 REJECTION:
 20 dBc MIN @ 1060 & 1500 MHz
 IMPEDANCE: 50 OHMS

COPY



Confidential and Proprietary information of ComNav Engineering Inc. Do Not Duplicate or Use Without Permission. ComNav Engineering Inc. claims Copyright in this document as of the Creation, last revision, and last updated dates. All Rights Reserved.

ENGLISH / METRIC ENGLISH	CHECKED BY						
TOLERANCES UNLESS OTHERWISE SPECIFIED	DRAWN BY						
MACHINED SURFACES TO BE 125 / OR BETTER	ENGINEER	II	31AUG06	KJR	DEV.	INI. ISS. PER 2560	
REMOVE ALL BURRS	ENGINEER	KJR	REV	DATE	BY	DCN No.	REMARKS

ENGLISH (INCHES)	METRIC (MM)	SCALE	APPLIC:
.XX ±.01	.X ±.2	4:1	CERAMIC COAXIAL FILTER
.XXX ±.005	.XX ±.13	DATE	TITLE:
ANGLES ± 0° 30'		11SEP06	3BCR2E-1230/180-L

	FINISH: BOARD: NICKEL/GOLD JACKET: NICKEL/SILVER RESONATOR: SILVER	DRAWING No.	SHEET OF
		OL0671	1 1

NOTES:

RECOMMENDED ATTACHMENT METHOD: SILVER EPOXY OR REFLOW NOT TO EXCEED AS INDICATED BELOW:

TEMP.(°C)	MAX.TIME(SEC)
215	90
230	60
245	30
260	15

RECOMMENDED FOOTPRINT: FP0107
 FILTER IS ROHS COMPLIANT.
 FILTER MAY BE ETCHED OR LABELED.