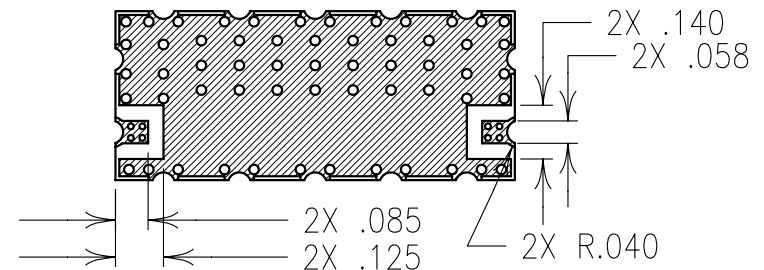
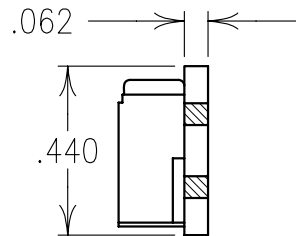
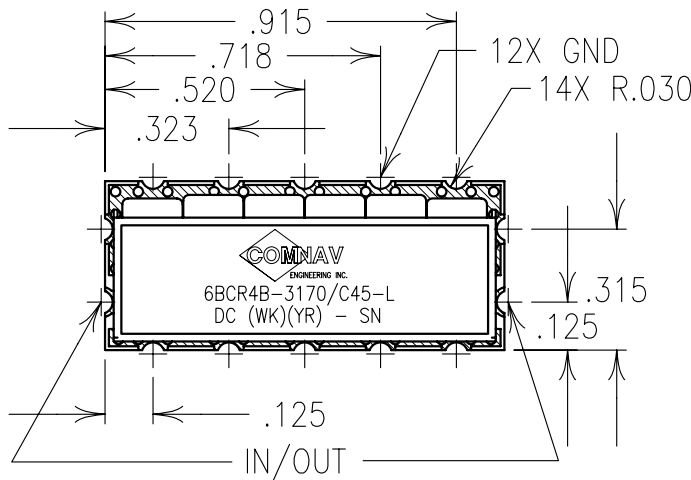
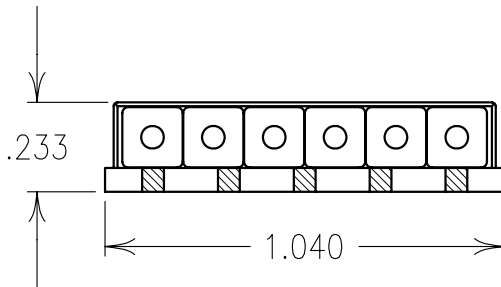


ELECTRICAL CHARACTERISTICS

CENTER FREQUENCY:	3170 MHz
PASSBAND:	3160-3180 MHz
PASSBAND INSERTION LOSS:	5.2 dB MAX 4.8 dB TYP.
VSWR:	1.5:1 MAX TYP. IN/OUT
REJECTION:	
70 dBc MIN:	DC TO 3100 MHz
60 dBc MIN:	3220-8560 MHz

COPY



NOTES:

FOR RECOMMENDED FOOTPRINT SEE FP0023.
 NO TIN PLATING UNDER SOLDER MASK.
 RECOMMENDED ATTACHMENT METHOD: SILVER EPOXY
 OR REFLOW NOT TO EXCEED AS INDICATED BELOW:

TEMP.(°C)	MAX.TIME(SEC)
215	90
230	60
245	30
260	15

FILTER IS ROHS COMPLIANT.
 FILTER MAY BE ETCHED OR LABELED.

Confidential and Proprietary information of ComNav Engineering Inc. Do Not Duplicate or Use Without Permission. ComNav Engineering Inc. claims Copyright in this document as of the Creation, last revision, and last updated dates. All Rights Reserved.

ENGLISH / METRIC ENGLISH	CHECKED BY					
TOLERANCES UNLESS OTHERWISE SPECIFIED	DRAWN BY	A	17AUG06	KJR	DEV.	GEN. REV. PER 2556
MACHINED SURFACES TO BE 125 OR BETTER REMOVE ALL BURRS	ENGINEER	II	30JUN06	KJR	DEV.	INI. ISS. PER 2537
ENGLISH (INCHES)	METRIC (MM)	SCALE	APPLIC: CERAMIC COAXIAL FILTER			
.XX ±.02	.X ±.25	2:1	DATE	TITLE: 6BCR4B-3170/C45-L		
.XXX ±.010	.XX ±.13		17AUG06			
ANGLES ± 0° 30'	FINISH: BOARD: NI/AU PLATED COPPER JACKET: NI/SILVER RESONATOR: SILVER		DRAWING No.		SHEET OF 1 1	
COMNAV ENGINEERING INC.			0L0656			