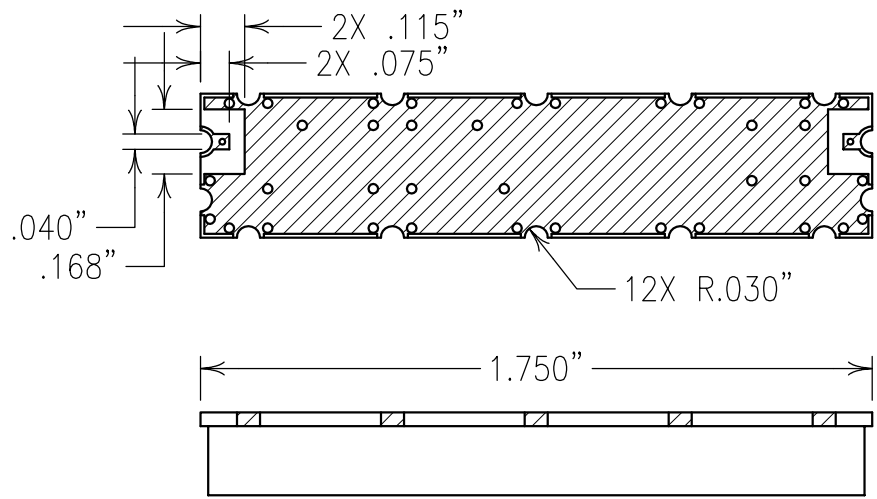


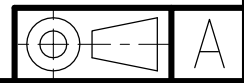
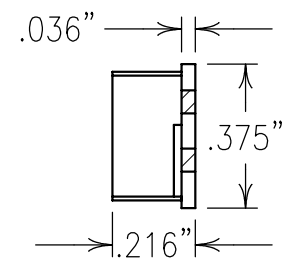
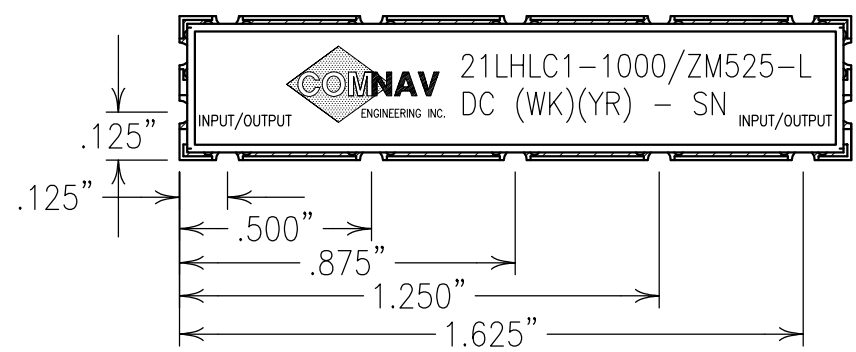
2

1



ELECTRICAL CHARACTERISTICS	
CENTER FREQUENCY:	1000 MHz
PASSBAND:	750-1250 MHz
LOSS @ F0:	<1.25
PASSBAND FLATNESS:	<2.0 dB
PASSBAND VSWR:	<1.7:1
55 dBc REJECTION:	DC->675, 1350->5000 MHz
OPERATING TEMP.:	-55° TO +90°C
GAIN MATCHING OVER LOT:	4 dB
GAIN MATCHING OVER SET:	2 dB
GAIN TRACKING OVER LOT:	1.25 dB
GAIN TRACKING OVER SET:	0.75 dB
PHASE MATCHING OVER LOT:	40°
PHASE MATCHING OVER SET:	20°
PHASE TRACKING OVER LOT:	16°
PHASE TRACKING OVER SET:	8°

COPY



Confidential and Proprietary information of ComNav Engineering Inc. Do Not Duplicate or Use Without Permission. ComNav Engineering Inc. claims Copyright in this document as of the Creation, last revision, and last updated dates. All Rights Reserved.

NOTES:
 RECOMMENDED ATTACHMENT METHOD: SILVER EPOXY OR REFLOW NOT TO EXCEED AS INDICATED BELOW:
 TEMP.(°C) MAX.TIME(SEC)

215	90	TRY TO IMPROVE PHASE MATCHING IF POSSIBLE.
230	60	
245	30	
260	15	

A SET IS 4 FILTERS DESIGNATED BY SERIAL NUMBER WHEN PACKED.
 FILTER IS ROHS COMPLIANT.
 FILTER MAY BE LABELED OR ETCHED.

ENGLISH / METRIC ENGLISH	CHECKED BY B	02SEP08	KJR	DEV.	GEN. REV. PER 2919		
TOLERANCES UNLESS OTHERWISE SPECIFIED MACHINED SURFACES TO BE 125 / OR BETTER REMOVE ALL BURRS	DRAWN BY PBF	A	10AUG06	KJR	DEV. GEN. REV. PER 2550		
ENGLISH (INCHES) .XX ±.02 .XXX ±.010	METRIC (MM) .X ±.50 .XX ±.25	ENGINEER KJR	II	21APR06	KJR	DEV. INI. ISS. PER 2515	
ANGLES ± 0° 30'	SCALE 2:1	DATE 07OCT08	REV	DATE	BY	DCN No.	REMARKS
FINISH: BOARD: NICKEL/GOLD JACKET: NICKEL/SILVER		APPLIC: CHIP AND WIRE COAXIAL FILTER		TITLE: 21LHLC1-1000/ZM525-L			
DRAWING No. 010646				SHEET OF 1 1			