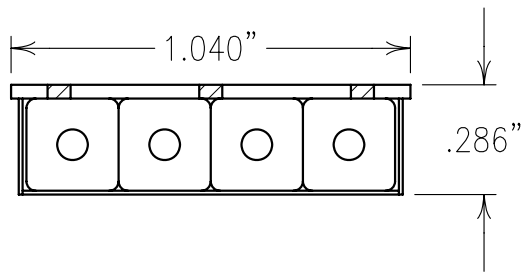


2

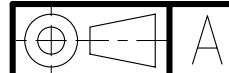
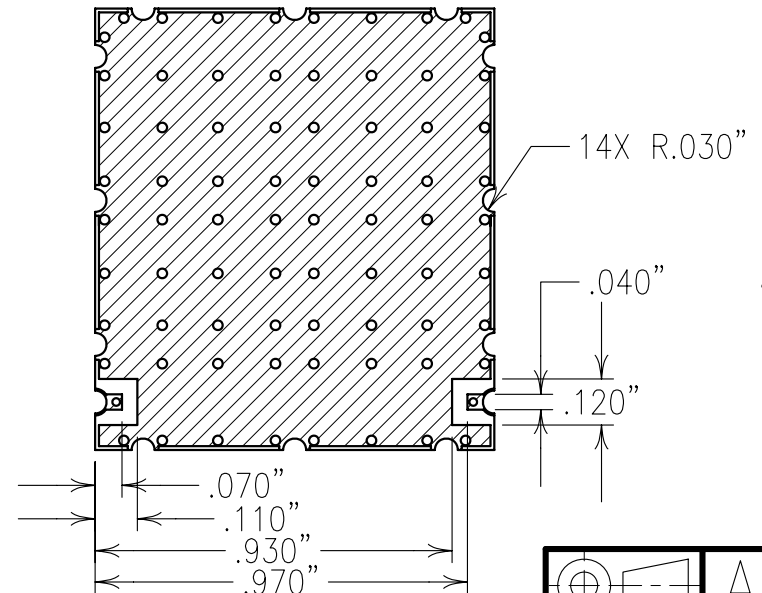
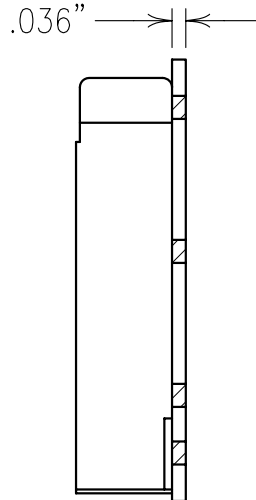
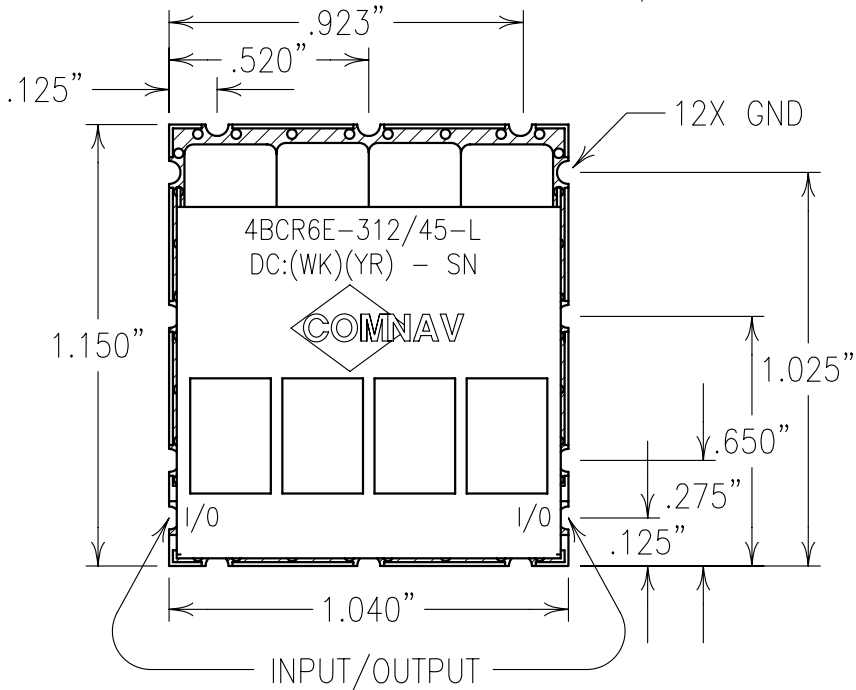
1



COPY

ELECTRICAL CHARACTERISTICS

CENTER FREQUENCY: 313.5 MHz NOM
 3 dB BANDWIDTH: 45 MHz nom.
 PASSBAND: 300-327 MHz
 LOSS: <0.9 dB
 VSWR: <1.3:1
 REJECTION:
 DC->265 MHz: >35 dBc
 395->850 MHz: >35 dBc



Confidential and Proprietary information of ComNav Engineering Inc. Do Not Duplicate or Use Without Permission. ComNav Engineering Inc. claims Copyright in this document as of the Creation, last revision, and last updated dates. All Rights Reserved.

NOTES: RECOMMENDED ATTACHMENT METHOD: SILVER EPOXY OR REFLOW NOT TO EXCEED AS INDICATED BELOW:
 TEMP.(°C) MAX.TIME(SEC)

215	90
230	60
245	30
260	15

FILTER IS ROHS COMPLIANT.
 FILTER MAY BE LABELED OR ETCHED.

ENGLISH / METRIC ENGLISH	CHECKED BY B 14FEB06 KJR DEV.	GEN. REV. PER 2484
TOLERANCES UNLESS OTHERWISE SPECIFIED MACHINED SURFACES TO BE 125 / OR BETTER REMOVE ALL BURRS	DRAWN BY A 04NOV05 KJR DEV.	GEN. REV. PER 2444
ENGINEER KJR	II 26OCT05 KJR DEV.	INI. ISS. PER 2441
SCALE 2:1	REV DATE BY DCN No.	REMARKS
APPLIC: COAXIAL FILTER	DATE 14FEB06	TITLE: 4BCR6E-312/45-L
FINISH: BOARD: NI/AU PLATED COPPER JACKET: NI/SILVER RESONATOR: SILVER	ANGLES ± 0° 30'	DRAWING No. OL0610

SHEET OF
1 1